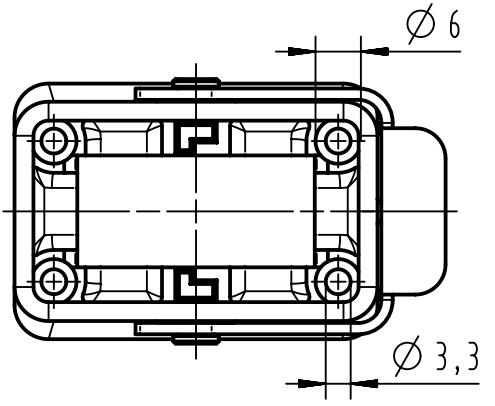
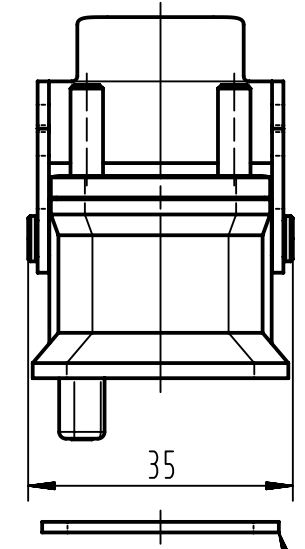
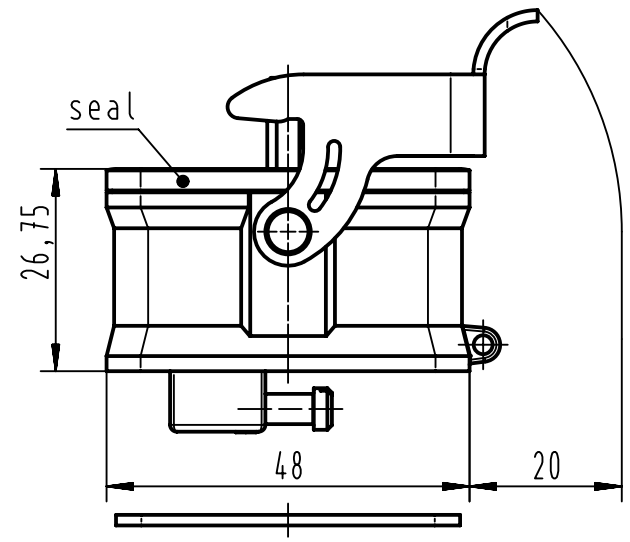
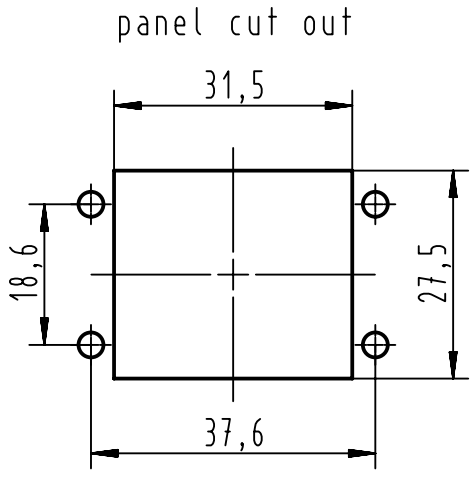
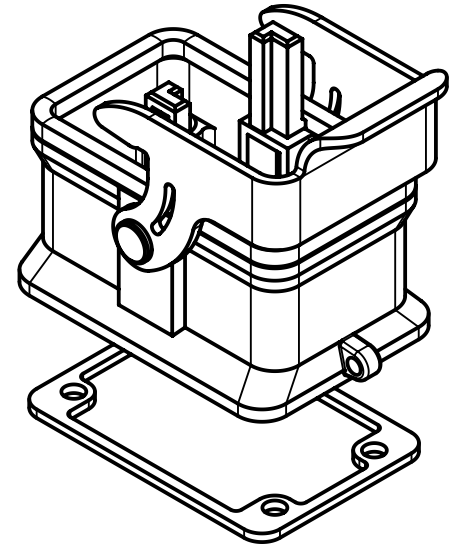


1 2 3 4 5 6

A
B
C
D



gasket is enclosed separately



	All rights reserved Department EL PD - DE	All Dimensions in mm Original Size DIN A4		Scale 1:1	Free size tol.	Ref.
		Created by FINKEV	Inspected by MOOR	Standardisation SCHMIDTM	Date 2013-11-22	State Final Release
HARTING Electric GmbH & Co. KG D-32339 Espelkamp		Title Han 1Mod-agg-M			Doc-Key / ECM-Nr. 100203573/UGD/004/A 500000067048	
		Type TB	Number 09 14 001 0301		Rev. A	Page 1/1