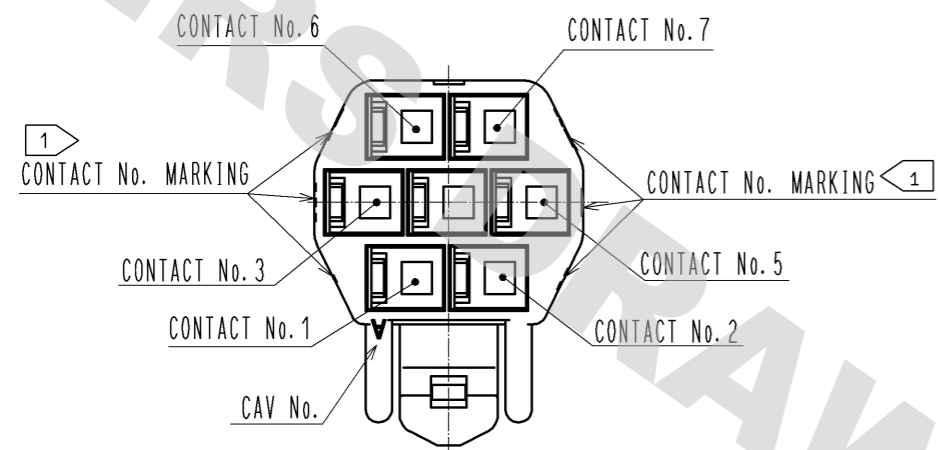
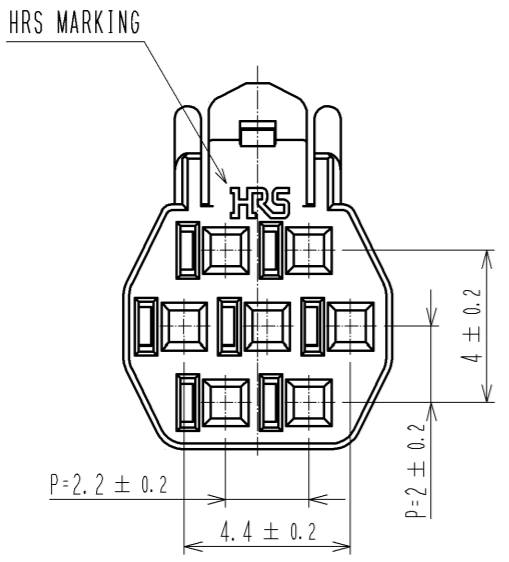
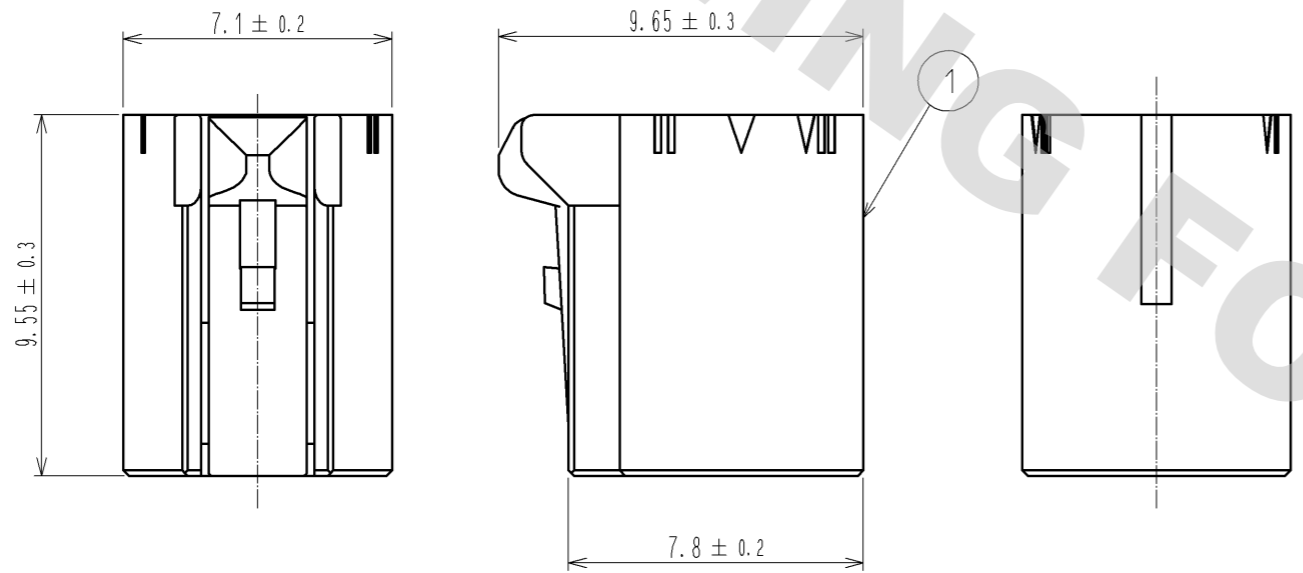
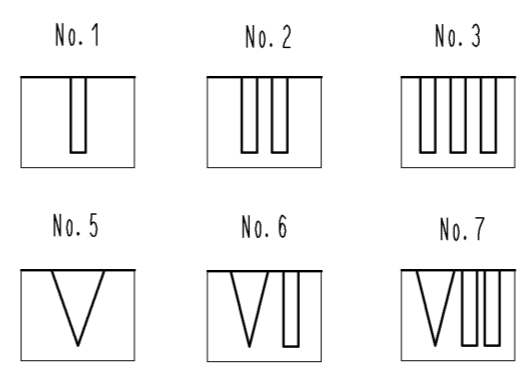


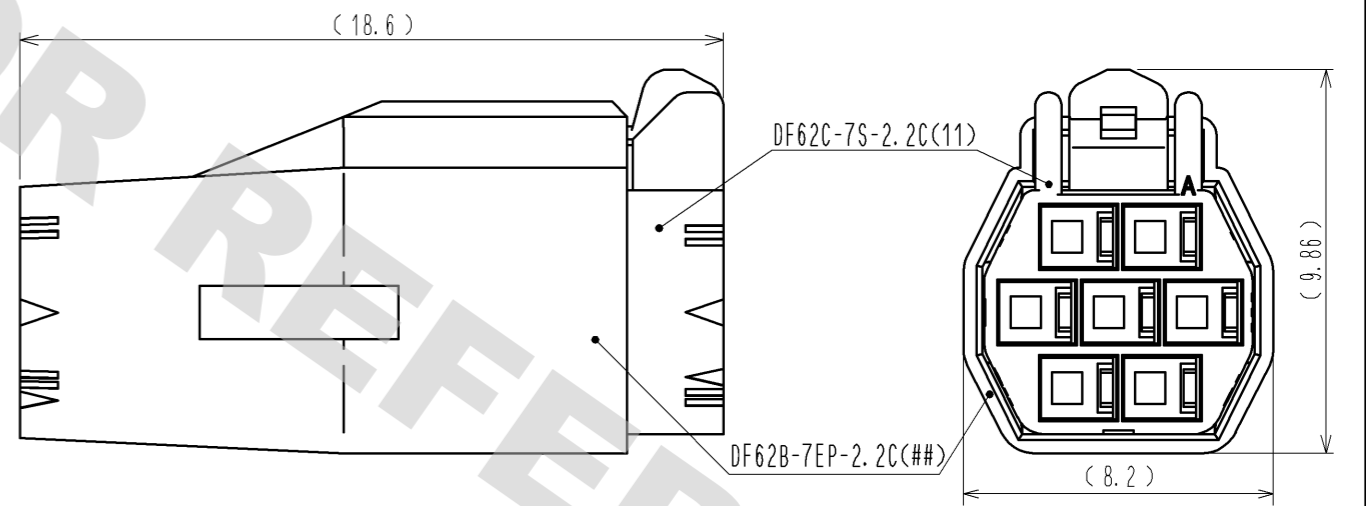
DRAWING FOR REFERENCE: This is subject to change without notice  
12/05/2013



1 FIGURE-1 CONTACT No. MARKING (10:1)



MATING FIGURE



NOTE. 1 MARKINGS AT THE INDICATED POSITIONS ARE CONTACT NO. MARKING, AND SHAPES ARE SHOWN IN FIGURE-1.  
2. PER PACK : 100 PIECES.  
3. THE DIMENSIONS IN PARENTHESIS ARE FOR REFERENCE.

NO.		MATERIAL		FINISH . REMARKS		1	PBT	UL94V-0 (BLACK)		
UNITS mm		SCALE 5 : 1		COUNT		DESCRIPTION OF REVISIONS		DESIGNED	CHECKED	DATE
<b>HIROSE ELECTRIC CO., LTD.</b>		APPROVED : KI. AKIYAMA		13. 05. 29		DRAWING NO.		EDC3-351975-01		
		CHECKED : HK. UMEHARA		13. 05. 29		PART NO.		DF62C-7S-2. 2C(11)		
		DESIGNED : TS. KUMAZAWA		13. 05. 29		CODE NO.		CL544-0570-4-11		
		DRAWN : TS. KUMAZAWA		13. 05. 29						