

Rocker Switch

Single and Double Pole

LR Series



Features

- Lighted and non-lighted versions
- Industry standard cutout
- RoHS Compliant
- Minimum 100,000 operations mechanical life

Standard Parts¹

North America and Europe

LRA22H2BBBNN	LRA22H2FBBNN	LRA32H2DBBNN	LRA22H2BBGLN	LRA22H2FBRLN	LRA32H2FBBNN
LRA22H2BBRLN	LRA32H2BBBNN	LRA32H2FBGLN	LRA22H2DBBNN	LRA32H2BBRLN	LRA32H2FBRLN

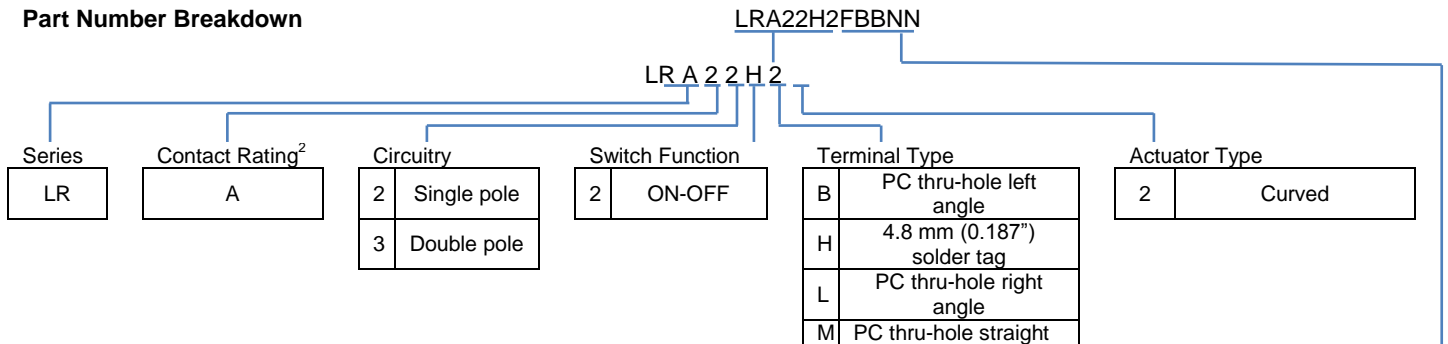
Europe

LRA22H2BBGEN	LRA32H2BBGLN	LRA22H2BBREN	LRA32H2BBREN	LRA22H2EBBNN	LRA32H2FBGEN
LRA22H2FBREN	LRA32H2FBREN	LRA32H2BBGEN			

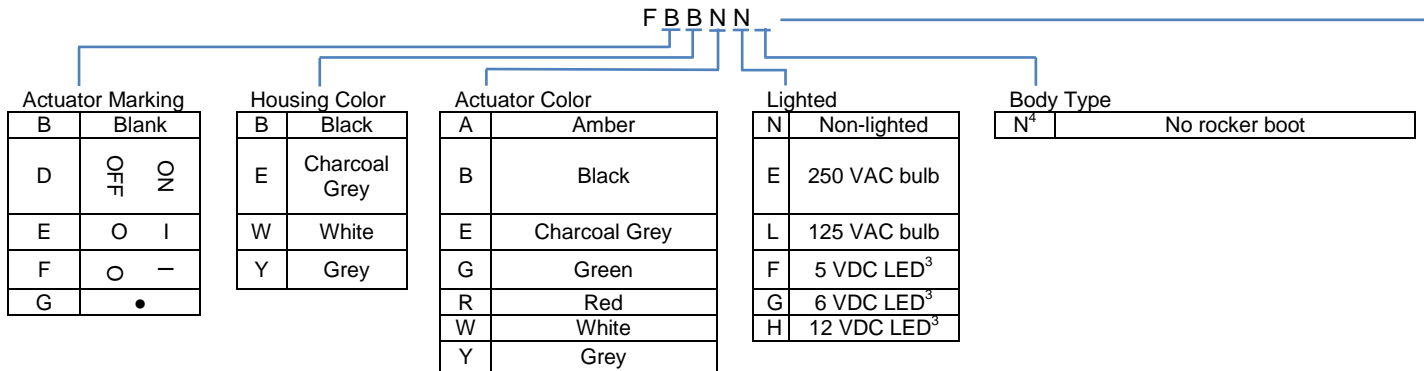
¹The part number configuration matrix below provides details to the part numbers above.

For configurable part numbers that are not listed above or for custom part numbers, contact the factory or your distributor.

Part Number Breakdown



²See Electrical Specifications section



³Switches have no agency DC ratings

⁴A splash-proof boot can be ordered separately as part number 00150644



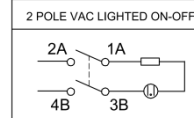
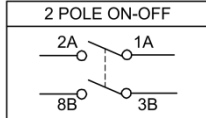
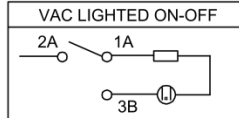
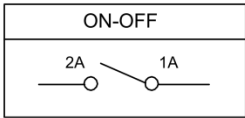
Electrical Specifications

Inrush Rating	24 A		
Dielectric Strength	1000 VAC for 1 minute		
Insulation Resistance	100 MΩ min at 500 VDC		
Initial Contact Resistance	0.020 Ω max		
Electrical Ratings	EN61058-1	UL Gen Purpose	UL HP
	10 (4) A 250 V~ T125/55	10 A 125 VAC / 8 A 250 VAC	¼ HP 125 VAC / 250 VAC
Electrical Life at Rated Load	VDE	UL	
Minimum Operations	10,000	6,000	
UL File No: E23301			

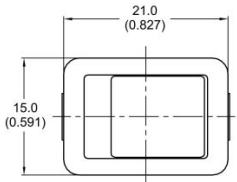
Material and Environmental Specifications

Actuator (non-lighted)	Nylon 66 94V-2		
Actuator (lighted)	Polycarbonate		
Base	Nylon 66 94V-2		
Spring	Steel Wire		
Contacts	Silver Alloy		
Movable Arm	Copper Alloy		
Terminals	Tin-Plated Copper Alloy		
Operating Temperature Range	-20 °C to +65 °C (-4 °F to +149 °F)		

Circuitry and Switch Functions

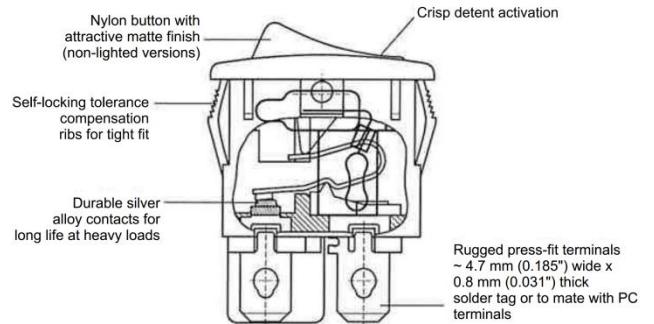
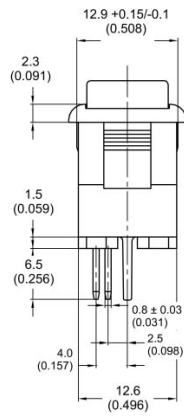
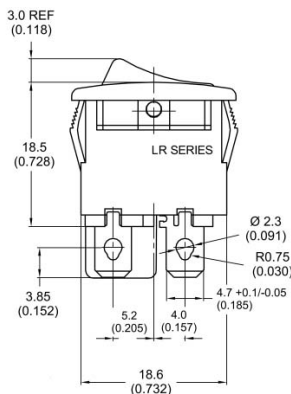


Dimensions mm (inches)



NOTE: Non-lighted 1 pole switch depicted below with solder tag terminals.

Two pole switches and lighted 1 pole switch have additional terminals on right-hand side as viewed below. Contact factory for details including other terminal options.



Recommended Panel Cut-Out Dimensions

Panel thickness	X Dimension	Y Dimension
0.75 to 1.25 (0.030 to 0.049)	19.2 +0.1/-0 (0.756)	12.9 +0.15/-0 (0.508)
1.25 to 2.00 (0.049 to 0.079)	19.4 +0.1/-0 (0.764)	12.9 +0.15/-0 (0.508)
2.00 to 3.00 (0.079 to 0.118)	19.8 +0.1/-0 (0.780)	12.9 +0.15/-0 (0.508)

NOTE: TOLERANCES ± 0.3 (0.012) UNLESS OTHERWISE SPECIFIED

