

# SPECIFICATION

## FOR APPROVAL

Customer : \_\_\_\_\_

Product Name : SIREN \_\_\_\_\_

Model Name : VPSG1924S \_\_\_\_\_

Drawing No. : VS20200224009 \_\_\_\_\_

### Signature of Voise

| Approved by | Checkde by | Issued by | Date |
|-------------|------------|-----------|------|
|             |            |           |      |



福爱斯电子有限公司  
VOISE ELECTRONICS CO.,LTD.

Office Add:Haoyangguang B-302# No.968 Baizhang Road,Ningbo China  
Factory add: Shishan Industrial Park Moushan Town Yuyao City China  
Tel:86-0574-87471601 Fax:86-0574-87471603 P.C.315000  
Http://www.nbvoise.com E-mail:sales@nbvoise.com



|                                |           |              |               |
|--------------------------------|-----------|--------------|---------------|
| <b>Specification for SIREN</b> |           | Page         | 3/6           |
| Model No.:                     | VPSG1924S | Revision No. | 1.0           |
|                                |           | Drawing No.  | VS20200224009 |

## 2. Scope

This product specification is applied to the Siren in alarm systems. Please contact us when using this product for any other applications than described in the above.

## 3. General Characteristics

- 3.1 Out-Diameter : 47x39 mm
- 3.2 Height : 23 mm
- 3.3 Weight : 35 g
- 3.4 Operating Temperature : -20~+60°C without loss of function
- 3.5 Store Temperature : -30~+70°C without loss of function

## 4. Electrical and Acoustic Characteristics.

Test condition : 15 ~ 35 °C Temp., 25% ~ 75% RH, 86~106 kPa Refer to IEC60268-1

| No | Items                    | Specification    |
|----|--------------------------|------------------|
| 1  | Rated Voltage            | 24V DC           |
| 2  | Working Voltage          | 16-28V DC        |
| 3  | Max Rated Current        | 90mA/24VDC       |
| 4  | Min Sound Preesure Level | 108dB/24VDC/30cm |
| 5  | Tone Nature              | Slow Siren       |
| 6  | Housing Material         | ABS              |
| 7  | Color                    | Black            |
| 8  | IP class                 | CE Certification |

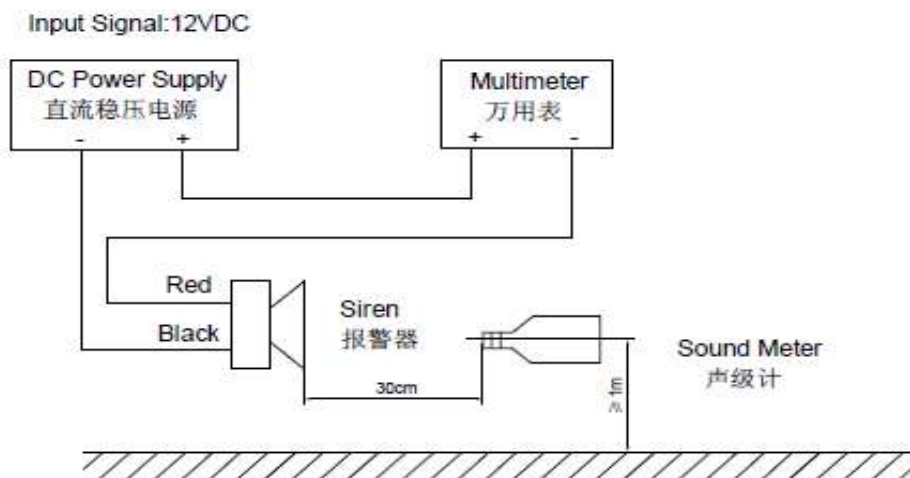
|                                |           |              |               |
|--------------------------------|-----------|--------------|---------------|
| <b>Specification for SIREN</b> |           | Page         | 4/6           |
|                                |           | Revision No. | 1.0           |
| Model No.:                     | VPSG1924S | Drawing No.  | VS20200224009 |

## 5. Reliability Test

After test(1~6item), the buzzer S.P.L . difference shall be within  $\pm 8\text{dB}$ , and the appearance not exist any change to be harmful to normal operation

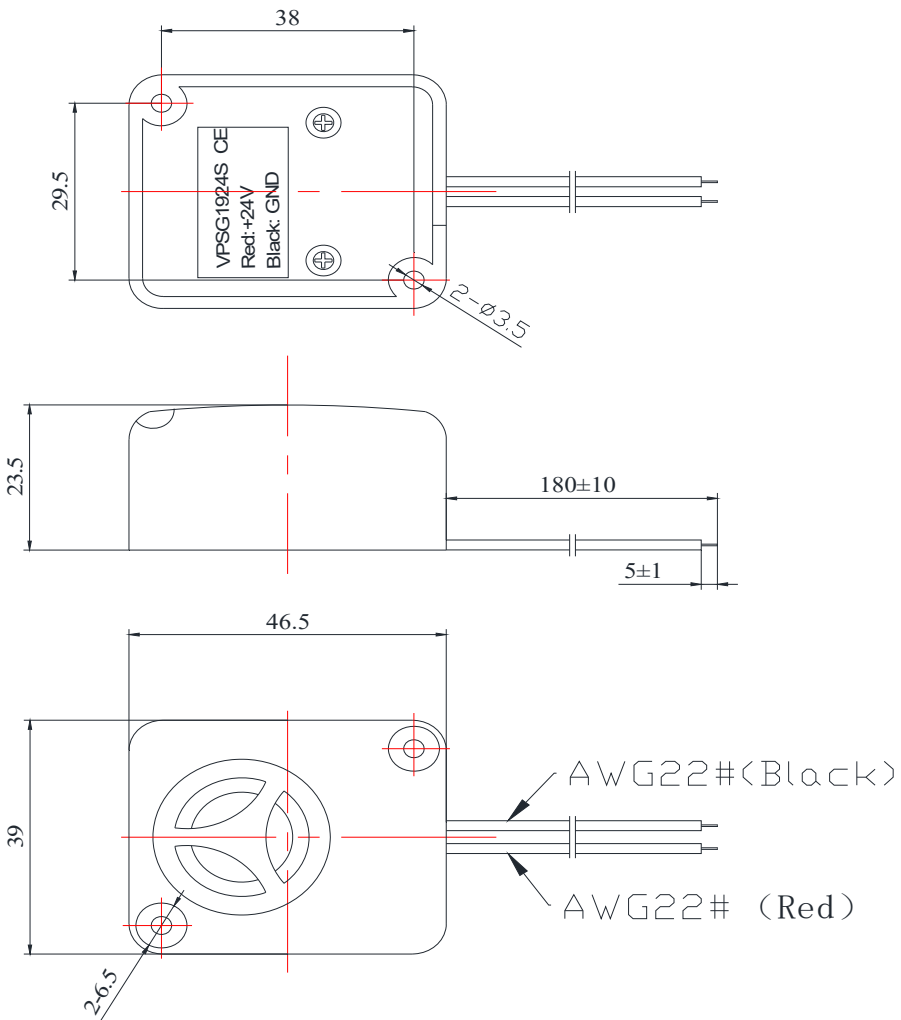
| No | Items          | Specification   |
|----|----------------|---|
| 1  | High Temp.Test | After being woked in a chamber with $+70\pm 2\text{ }^\circ\text{C}$ for 100h and then being placed in natural condition for 2h, and then check.                    |
| 2  | Low Temp.Test  | First being worked in a chamber with $-20\pm 2\text{ }^\circ\text{C}$ for 100h and then being placed in natural condtion for 2h, and then check.                    |
| 3  | Humidity Test  | After being placed in a chamber with 90 to 95%R.H. at $+40\pm 2\text{ }^\circ\text{C}$ for 100 h and then being placed in natural condition for 2h ,and then check. |
| 4  | Shock Test     | Under acceleration of peak $100\text{m/s}^2(10\text{g})$ & half sine wave pulse( pulse time is 16ms) condition. Run into product 1000 times continuously.           |
| 5  | Vibration Test | Being applied vibration of amplitude of 1.5mm with 10-30Hz band of vibration frequency,X.Y.Z.3 direction.2 hours each, total 6 hours.                               |
| 6  | Drop Test      | Free drop fram 0.5 meter height to a board 20mm thick hard wood board. and be nothing mechanical damage. tatol 6 times.   |

## 6. Measurement Method

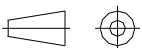


|                                |           |              |               |
|--------------------------------|-----------|--------------|---------------|
| <b>Specification for SIREN</b> |           | Page         | 5/6           |
|                                |           | Revision No. | 1.0           |
| Model No.:                     | VPSG1924S | Drawing No.  | VS20200224009 |

## 7. Dimensions



FIRST ANGLE PROJECTION



UNIT : mm

Tolerance : ±0.2

|                         |           |              |               |
|-------------------------|-----------|--------------|---------------|
| Specification for SIREN |           | Page         | 6/6           |
|                         |           | Revision No. | 1.0           |
| Model No.:              | VPSG1924S | Drawing No.  | VS20200224009 |

## 8. Packing

Each minimum package unit of products shall be in a carton box and it shall be clearly marked with Part Number ,quantity and outgoing inspection number.

There shall be no mechanical damage on products during in storage.

Total:200 pcs per box  
Size:26.5X21.5X27CM  
G.W.:7.5kg ; N.W.:6.2kg