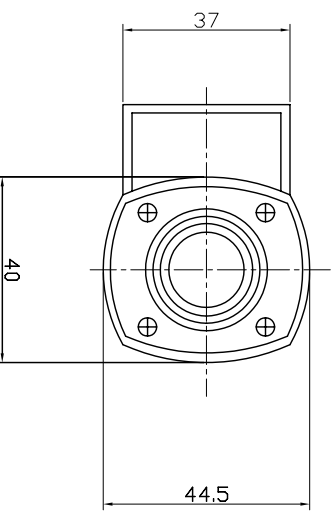
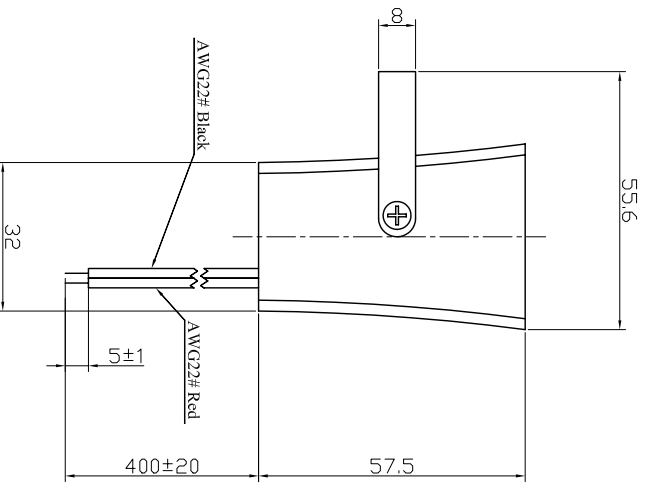


# SPECIFICATION

- 1. Rated Voltage ..... 12 VDC
- 2. Operating Voltage ..... 6~16VDC
- 3. Max. Rated Current ..... 250mA/12VDC
- 4. Resonant Frequency ..... 1.5~3.5KHz
- 5. Min. Sound Pressure Level..... 100dB at 12VDC/100cm
- 6. Tone Nature ..... Six Tone
- 7. Case Material ..... ABS
- 8. Operating Temperature ..... -20~+60°C
- 9. Store Temperature ..... -30~+70°C
- 10. Weight ..... 51g



No.	DESCRIPTION	APPROVED	DATE	<b>KEPO</b> NINGBO KEEP IMPROVING ELECTRONIC CO.,LTD <a href="http://www.chinaacoustic.com">http://www.chinaacoustic.com</a> Electronic siren KPS-4516		
TOLERANCES UNLESS NOTED OTHERWISE		APPROVALS	DATE			
xxx .x		DRAWN				
xxx .x		CHECKED				
FIRST ANGLE PROJECTION				03.04.02	UNIT	DWG NO.
				APPROVED	mm	KP3.840.457.01
				SCALE	NOT TO SCALE	SHEET
						VER 1.0