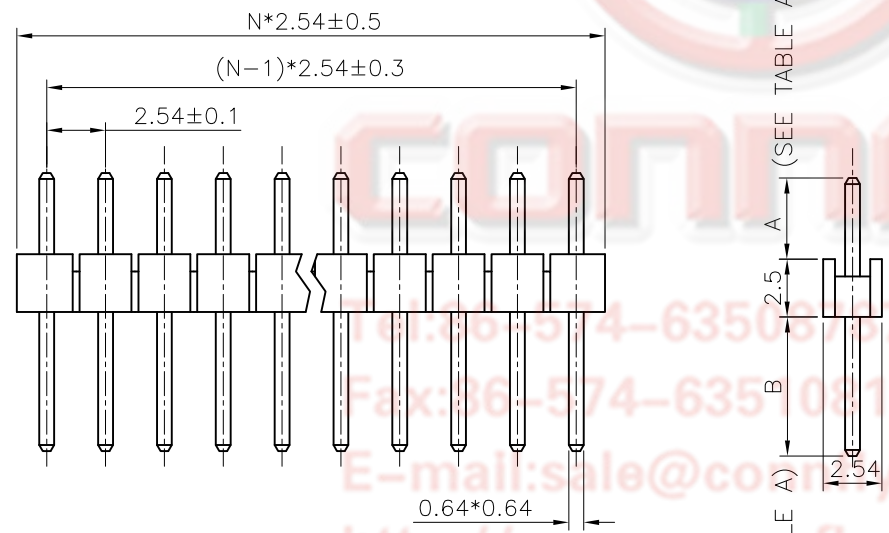


The information provided herein is from CONNELY Electronic Co., Ltd. and is confidential. Any disclosure to a party other than the recipient is prohibited. The intellectual properties and its rights contained herein, including but not limited to, trademarks, patents, copyrights, trade secrets, and technical know-how, are owned exclusively by CONNELY or its affiliates. Unauthorized use of this information in any format or manner. CONNELY may enforce its intellectual property rights at its own discretion; failures or delays to exercise such rights does not constitute a waiver of such rights.

1                      2                      3                      4                      5                      6                      7                      8

REV.	DESCRIPTION	DRAWN	CHECKED	APPROVED
A	NEW RELEASE	LL 07/03/06'		LJC 07/03/06'
O	DRAWING UPDATE	JLZ 09/18/18'		

Single Row  
 N:NUMBER OF CONTACTS  
 A/B:CUSTOMER LENGTH AVAILABLE



- Notes:
- Electrical Characteristics:
    - Contact Resistance: 20mΩ Max.
    - Dielectric Withstanding Voltage: 600V AC(rms) For 1 Minute.
    - Insulation Resistance: 1000MΩ Min.
    - Current Rating:3A.
    - Voltage Rating:250V AC rms.
  - Environment Characteristics:
    - Temperature: -40°C~+105°C.
  - Materials:
    - Contact Material: Copper Alloy.
    - Contact Plating: Gold Plating Over Nickel.
    - Insulator Materials: PBT,Black,UL94-V0.
  - Product Number Code:

DS1021- X X X X - X

X: PLATING LEVEL(FOR GOLD ONLY)  
 3A: LEVEL 3A    B: LEVEL B  
 N: LEVEL N  
 TABLE A & DIM. TYPE  
 1: TYPE 1  
 2: TYPE 2  
 3: TYPE 3  
 .....  
 or -A\*.\*-B\*.\*  
 CONTACT PLATING  
 F1: FULL GOLD FLASH  
 6: FULL TIN  
 MOUNTING TYPE  
 S: STRAIGHT TYPE  
 No. OF CONTACTS  
 1x1~1x40

Tel: 86-574-63503157  
 Fax: 86-574-63500117  
 E-mail: sale@connely.com  
 http://www.connely.com  
 Add: East Industry Zone Kuang Yan  
 Town Cixi Ningbo China  
 P.C: 315333

GENERAL TOLERANCE		ANGLE TOLERANCE		PROJECTION		TITLE	2.54mm Pin Header V/T Type Single Row	
X.	±0.60	X.	±5°	UNITS	mm			
.X	±0.38	.X	±3°	SHEET SIZE	A4	SERIES	DS1021 SERIES	
.XX	±0.25	.XX	±2°	晨翔电子有限公司 <b>CONNELY CONNELY ELECTRONIC CO. LTD</b>				
DRAWING TYPE		CUSTOMER						
SCALE	1:1	SHEET	1 OF 2					
DRAWING NO.		C-DS1021-XXXXX-X-0						

1                      2                      3                      4                      5                      6                      7                      8

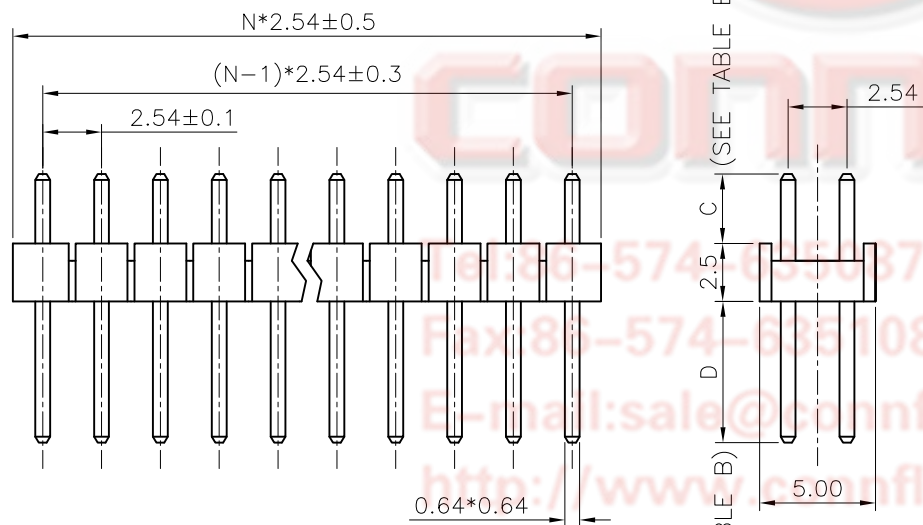


The information provided herein is from CONNELY Electronic Co., Ltd. and is confidential. Any disclosure to a party other than the recipient is prohibited. The intellectual properties and its rights contained herein, including but not limited to, trademarks, patents, copyrights, trade secrets, and technical know-how, are owned exclusively by CONNELY or its affiliates. Unauthorized use of the information herein, in any format or manner, CONNELY may enforce its intellectual property rights at its own discretion; failures or delays to exercise such rights does not constitute a waiver of such rights.

1                      2                      3                      4                      5                      6                      7                      8

REV.	DESCRIPTION	DRAWN	CHECKED	APPROVED
A	NEW RELEASE	LL 07/03/06'		LJC 07/03/06'
O	DRAWING UPDATE	JLZ 09/18/18'		

Double Row  
 N:NUMBER OF CONTACTS/2  
 C/D:CUSTOMER LENGTH AVAILABLE



- Notes:
- Electrical Characteristics:
    - Contact Resistance: 20mΩ Max.
    - Dielectric Withstanding Voltage: 600V AC(rms) For 1 Minute.
    - Insulation Resistance: 1000MΩ Min.
    - Current Rating:3A.
    - Voltage Rating:250V AC rms.
  - Environment Characteristics:
    - Temperature: -40°C~+105°C.
  - Materials:
    - Contact Material: Copper Alloy.
    - Contact Plating: Gold Plating Over Nickel.
    - Insulator Materials: PBT,Black,UL94-V0.
  - Product Number Code:


DS1021- X X X X - X

PLATING LEVEL(FOR GOLD ONLY)  
 3A: LEVEL 3A    B: LEVEL B  
 N: LEVEL N  
 TABLE B & DIM. TYPE  
 1: TYPE 1  
 2: TYPE 2  
 3: TYPE 3  
 .....  
 or -C\*.\*-D\*.\*  
 CONTACT PLATING  
 F1: FULL GOLD FLASH  
 6: FULL TIN  
 MOUNTING TYPE  
 S: STRAIGHT TYPE  
 No. OF CONTACTS  
 2x1~2x40

CONNELY  
 Tel: 86-574-63503787  
 Fax: 86-574-63510817  
 E-mail: sale@connfly.com  
 http://www.connfly.com  
 Add: East Industry Zone KuangYan  
 Town Cixi Ningbo China  
 P.C: 315333

GENERAL TOLERANCE		ANGLE TOLERANCE		PROJECTION		TITLE	2.54mm Pin Header V/T Type Double Row	
X.	±0.60	X.	±5°	UNITS	mm			
.X	±0.38	.X	±3°	SHEET SIZE	A4	SERIES	DS1021 SERIES	
.XX	±0.25	.XX	±2°	<b>晨翔电子有限公司</b> <b>CONNELY CONNELY ELECTRONIC CO. LTD</b>				
DRAWING TYPE		CUSTOMER						
SCALE	1:1	SHEET	1 OF 2					
DRAWING NO.		C-DS1021-XXXXX-X-O						

1                      2                      3                      4                      5                      6                      7                      8

	1	2	3	4	5	6	7	8							
A	Dept														
	Qty														
	DC								1						
	ED								1						
	IE								1						
	ISO								1						
	PD								1						
	R&D								1						
	SD								1						
	QA								1						
B	QC								1						
	QE								1						
	The information provided herein is from CONNELY Electronic Co., Ltd. and is confidential. Any disclosure to a party other than the recipient is prohibited. The intellectual properties and its rights contained herein, including but not limited to, trademarks, patents, copyrights, trade secrets, and technical know-how, are owned exclusively by CONNELY or its affiliates. Unauthorized use of this information in any format or manner. CONNELY may enforce its intellectual property rights at its own discretion; failures or delays to exercise such rights does not constitute a waiver of such rights.														
	C														
	D														
	E														
	F														
	F														
	G														
	H														
TABLE B:		TABLE B:			TABLE B:			TABLE B:			TABLE B:				
	TYPE	Dimension			TYPE	Dimension			TYPE	Dimension			TYPE	Dimension	
		C	D			C	D			C	D			C	D
	1	3.00	6.10		30	3.00	16.50		59	3.00	12.40				
	2	3.00	7.50		31	3.00	21.50		60	3.00	14.30				
	3	3.00	10.50		32	3.24	8.16		61	5.00	16.50				
	4	0.00	13.50		33	2.20	6.10		62	3.00	5.00				
	5	2.50	5.80		34	3.50	11.00		63	5.33	5.84				
	6	3.00	7.10		35	3.00	5.50		64	5.84	15.49				
	7	3.00	8.30		36	3.00	4.50		65	3.00	3.50				
	8	3.00	9.30		37	3.30	15.60		66	20.00	3.00				
	9	3.00	12.30		38	3.00	17.30		67	5.33	5.84				
	10	3.00	14.50		39	3.00	30.50		68	5.50	3.30				
	11	3.00	5.30		40	3.00	15.50		69	3.50	14.00				
	12	3.00	14.30		41	3.00	6.50		70	6.00	10.00				
	13	3.00	11.50		42	2.50	10.00								
	14	3.00	13.50		43	2.41	12.07								
	15	2.50	16.00		44	3.00	25.00								
	16	3.00	3.00		45	4.00	6.00								
	17	3.00	9.50		46	3.00	15.00								
	18	3.00	19.50		47	2.46	5.70								
	19	6.00	15.40		48	3.00	16.10								
	20	3.00	5.96		49	3.00	11.96								
	21	3.00	6.96		50	6.50	12.00								
	22	3.00	15.90		51	3.00	8.96								
	23	3.00	24.50		52	3.00	9.00								
	24	3.00	29.50		53	4.25	4.25								
	25	3.00	34.50		54	3.50	9.50								
	26	3.00	8.50		55	3.10	6.00								
	27	3.00	18.50		56	8.70	6.00								
	28	3.00	12.50		57	4.20	7.80								
	29	4.00	10.50		58	3.30	6.80								
GENERAL TOLERANCE		ANGLE TOLERANCE		PROJECTION		TITLE		2.54mm Pin Header V/T Type							
X. ±0.60		X. ±5'		UNITS		mm		Double Row							
.X ±0.38		.X ±3'		SHEET SIZE		A4		SERIES DS1021 SERIES							
.XX ±0.25		.XX ±2'		DRAWING TYPE		CUSTOMER		 <b>晨翔电子有限公司</b> <b>CONNFLY CONNFLY ELECTRONIC CO. LTD</b>							
SCALE		1:1		SHEET		2 OF 2									
DRAWING NO.		C-DS1021-XXXXX-X-0													

The information provided herein is from CONNELY Electronic Co., Ltd. and is confidential. Any disclosure to a party other than the recipient is prohibited. The intellectual properties and its rights contained herein, including but not limited to, trademarks, patents, copyrights, trade secrets, and technical know-how, are owned exclusively by CONNELY or its affiliates. Unauthorized use of this information in any format or manner. CONNELY may enforce its intellectual property rights at its own discretion; failures or delays to exercise such rights does not constitute a waiver of such rights.

1                      2                      3                      4                      5                      6                      7                      8

Dept	Qty
DC	1
ED	1
IE	1
ISO	1
PD	1
R&D	1
SD	1
QA	1
QC	1
QE	1

A  
B  
C  
D  
E  
F  
G  
H

THREE ROWS  
 N:NUMBER OF CONTACTS/3  
 E/F:CUSTOMER LENGTH AVAILABLE

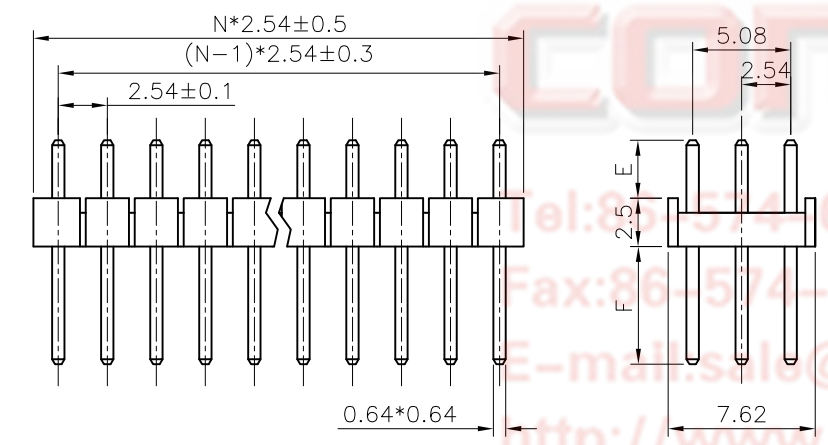


TABLE C:

TYPE	Dimension	
	E	F
1	3.00	6.10
2	7.15	7.15
3		
4		
5		
6		
7		
8		
9		
10		
11		
12		
13		
14		
15		
16		
17		
18		
19		
20		
21		
22		
23		
24		
25		
26		
27		
28		
29		

REV.	DESCRIPTION	DRAWN	CHECKED	APPROVED
A	NEW RELEASE	LL 07/03/06'		LJC 07/03/06'
O	DRAWING UPDATE	JLZ 09/18/18'		

- Notes:
- Electrical Characteristics:
    - Contact Resistance: 20mΩ Max.
    - Dielectric Withstanding Voltage: 600V AC(rms) For 1 Minute.
    - Insulation Resistance: 1000MΩ Min.
    - Current Rating:3A.
    - Voltage Rating:250V AC rms.
  - Environment Characteristics:
    - Temperature: -40°C~+105°C.
  - Materials:
    - Contact Material: Copper Alloy.
    - Contact Plating: Gold Plating Over Nickel.
    - Insulator Materials: PBT,Black,UL94-V0.
  - Product Number Code:

DS1021- X X X X - X

PLATING LEVEL(FOR GOLD ONLY)  
 3A: LEVEL 3A    B: LEVEL B  
 N: LEVEL N

TABLE C & DIM. TYPE  
 1: TYPE 1  
 2: TYPE 2  
 .....  
 or -E\*.\*-F\*.\*

CONTACT PLATING  
 F1: FULL GOLD FLASH  
 6: FULL TIN

MOUNTING TYPE  
 S: STRAIGHT TYPE

No. OF CONTACTS  
 3x1~3x40

GENERAL TOLERANCE		ANGLE TOLERANCE		PROJECTION		TITLE	2.54mm Pin Header V/T Type Three Rows	
X.	±0.60	X.	±5°	UNITS	mm			
.X	±0.38	.X	±3°	SHEET SIZE	A4	SERIES	DS1021 SERIES	
.XX	±0.25	.XX	±2°	<b>晨翔电子有限公司</b> <b>CONNFLY CONNFLY ELECTRONIC CO. LTD</b>				
DRAWING TYPE		CUSTOMER						
SCALE	1:1	SHEET	1 OF 1					
DRAWING NO.		C-DS1021-XXXXX-X-0						

1                      2                      3                      4                      5                      6                      7                      8