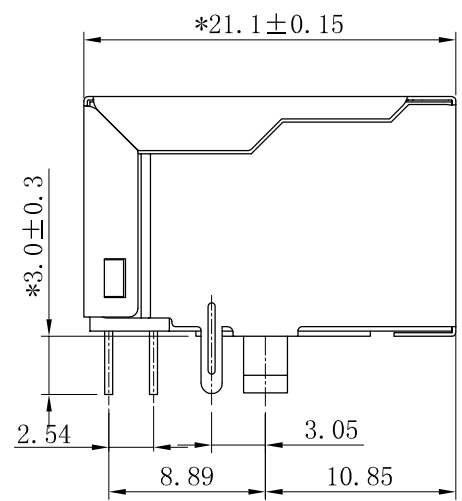
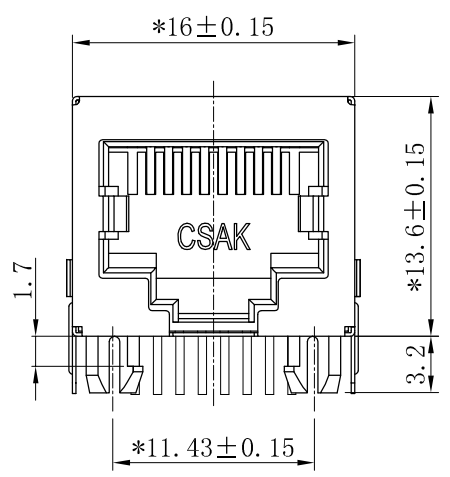
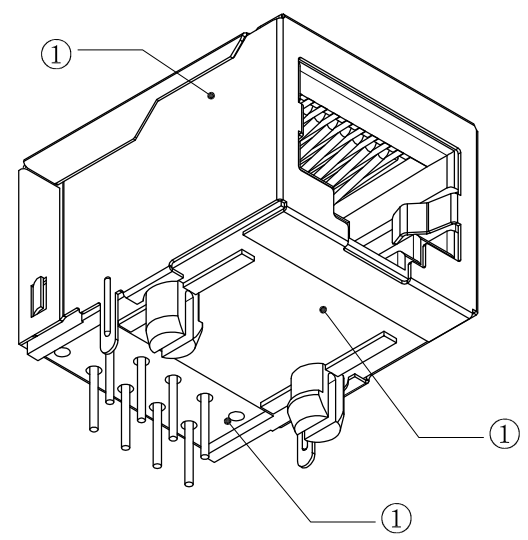
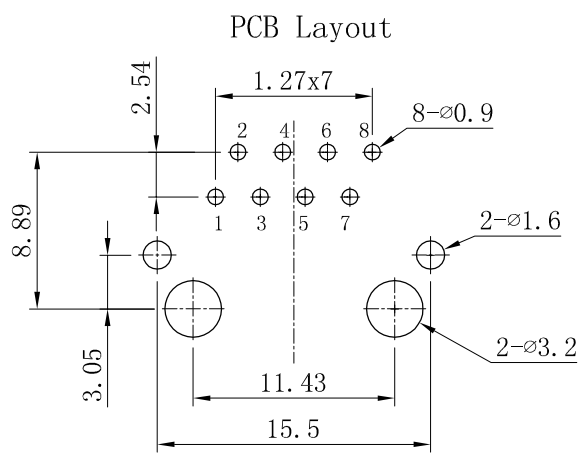
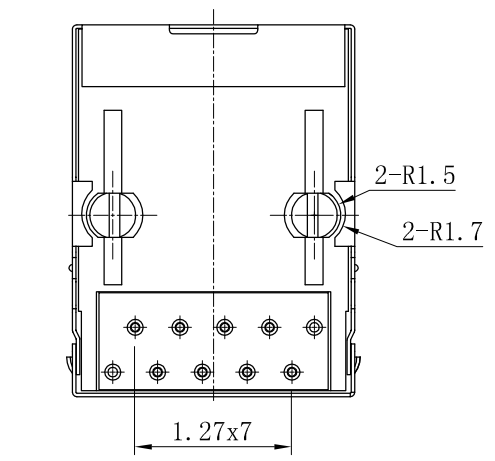


REV.	DESCRIPTION	DATA



DESCRIPTION:
 1. OPERATION TEMPERATURE RANGE: -25°C TO 70°C;
 2. LOAD RATING: 125V AC, 1.5A;
 3. CONTACT RESISTANCE: 30mΩ MAX;
 4. INSULATION RESISTANCE: 1000MΩ MIN;
 5. WITHSTAND VOLTAGE: 1000VAC 60S;
 6. MECHANICAL ENDURANCE: 750 CYCLES MIN;
 7. RECOMMENDED PCB THICKNESS: 1.6mm.

BOM				
NO.	PART NAME	DWG NO.	Q' TY	DESCRIPTION
1	HOUSING	5911.50.001	1	PBT (Black)
2	INSERT	5911.20.001	1	Contact Material: phosphor bronze gold plating 0.5μ", Ø0.46mm
3	SHIELD	5911.40.004	1	0.2mm nickel-plated brass

CSAK [®] ELECTRONICS CO., LTD		DESC: RJ45 1*1 10P8C 屏蔽 脚后3.05					
		TOLERANCES	PART Name	5911-08-100-401-01	DRAWING	P/N: 5911.10.005.011	
0~6 : ±0.1	CUSTOMER		CHECK	UNIT	SCALE	VIEW	REV.
6~30 : ±0.2	CUST P/N		APPROVED	mm	1:1	☐ ⊙	A0
30~120: ±0.3							