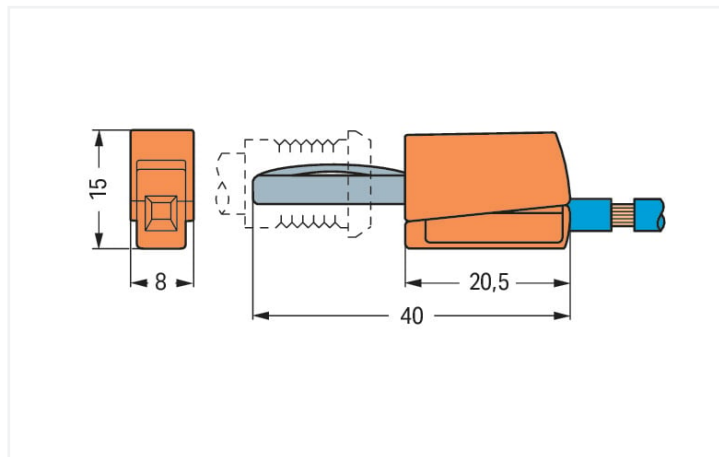


Color: ■ gray



Dimensions in mm

Technical data

Main product function	Testing accessories
Total number of potentials	1

Electrical data

Rated current	20 A
Test voltage	42 V

Connection data

Connection technology	CAGE CLAMP®
Strip length	9 ... 11 mm / 0.35 ... 0.43 inches
Connection points	1
Solid conductor	0.08 ... 2.5 mm ² / 28 ... 14 AWG
Fine-stranded conductor	0.08 ... 2.5 mm ² / 28 ... 14 AWG

Physical data

Width	8 mm / 0.315 inches
Height	15 mm / 0.591 inches
Depth	40 mm / 1.575 inches

Material data

Color	gray
Fire load	0.041 MJ
Weight	3.9 g

Commercial data	
Product Group	2 (Terminal Block Accessories)
eCl@ss 10.0	27-44-03-13
eCl@ss 9.0	27-44-03-13
ETIM 8.0	EC002255
ETIM 7.0	EC002255
PU (SPU)	50 pcs
Packaging type	Box
Country of origin	DE
GTIN	4045454293550
Customs tariff number	85366990990

Downloads

Environmental Product Compliance

Compliance Search	
Environmental Product Compliance 215-811	↓

Documentation

Bid Text			
215-811	19.02.2019	xml 3.02 KB	↓
215-811	19.09.2017	doc 25.50 KB	↓

CAD/CAE-Data

CAE data	
EPLAN Data Portal 215-811	↓
WSCAD Universe 215-811	↓

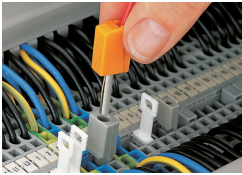
Installation Notes

Conductor termination



Conductor termination: Press button fully, insert stripped conductor into square entry and release.

Testing



Testing via banana plug.
Picture shows a test plug adapter
(209-170).