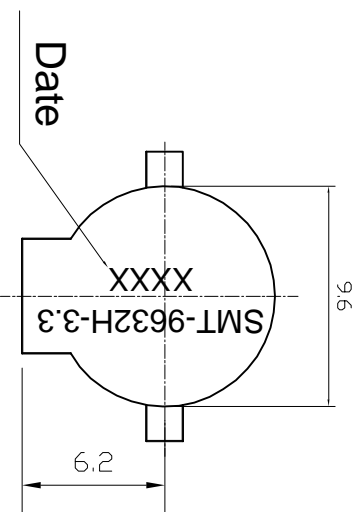
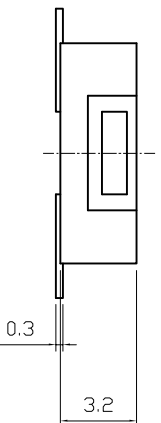
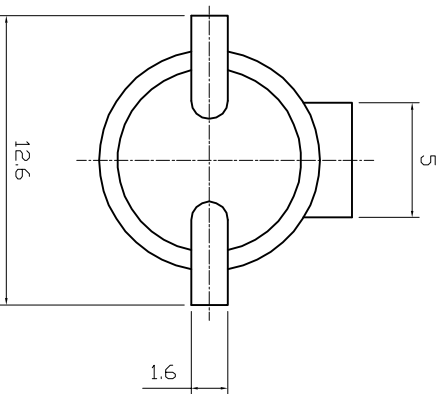


# SPECIFICATION

- 1. Rated Voltage .....3.3V
- 2. Operating Voltage .....2~4V
- 3. Resonant Frequency .....2731Hz
- 4. Min. Sound Pressure Level.....85dB at 10cm
- 5. Coil Resistance .....16±4Ω
- 6. Max. current Consumption .....120mA
- 7. Operating Temperature .....-25~+70℃
- 8. Store Temperature .....-30~+80℃
- 9. Weight .....3.5g



Date

<b>KEPO</b> NINGBO KEPO ELECTRONIC CO.,LTD http://www.chinaacoustic.com															
Magnetic Buzzer SMT-9632H-3.3	UNIT: mm SCALE: NOT TO SCALE														
<table border="1" style="width: 100%; border-collapse: collapse;"> <tr> <th>No.</th> <th>DESCRIPTION</th> <th>APPROVED</th> <th>DATE</th> </tr> <tr> <td> </td> <td> </td> <td> </td> <td> </td> </tr> </table>	No.	DESCRIPTION	APPROVED	DATE					<table border="1" style="width: 100%; border-collapse: collapse;"> <tr> <th>DRAWN</th> <th>CHECKED</th> <th>DATE</th> </tr> <tr> <td> </td> <td> </td> <td>07.10.27 </td></tr> </table>	DRAWN	CHECKED	DATE			07.10.27
No.	DESCRIPTION	APPROVED	DATE												
DRAWN	CHECKED	DATE													
		07.10.27													
<table border="1" style="width: 100%; border-collapse: collapse;"> <tr> <th colspan="2">APPROVALS</th> </tr> <tr> <td style="width: 50%;">LHI</td> <td style="width: 50%;"> </td> </tr> </table>	APPROVALS		LHI		<table border="1" style="width: 100%; border-collapse: collapse;"> <tr> <th>APPROVED</th> </tr> <tr> <td> </td> </tr> </table>	APPROVED									
APPROVALS															
LHI															
APPROVED															
<table border="1" style="width: 100%; border-collapse: collapse;"> <tr> <td style="width: 50%; text-align: center;">                 TOLERANCES                  FRACTIONS                  X .XX                  .XX                  .00 FRACTIONS                  .XX FRACTIONS             </td> <td style="width: 50%; text-align: center;">                 THIRD ANGLE PROJECTION             </td> </tr> </table>		TOLERANCES FRACTIONS X .XX .XX .00 FRACTIONS .XX FRACTIONS	THIRD ANGLE PROJECTION												
TOLERANCES FRACTIONS X .XX .XX .00 FRACTIONS .XX FRACTIONS	THIRD ANGLE PROJECTION														

KP3.840.895.01

SHEET

VER 1.0