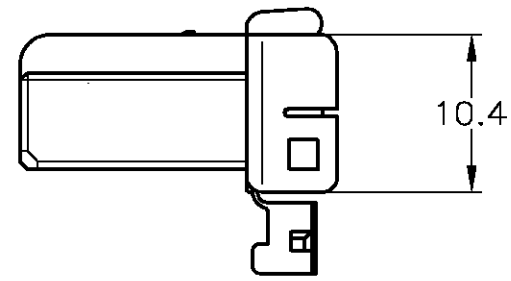
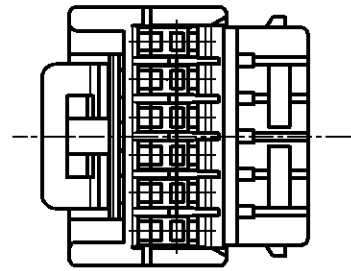
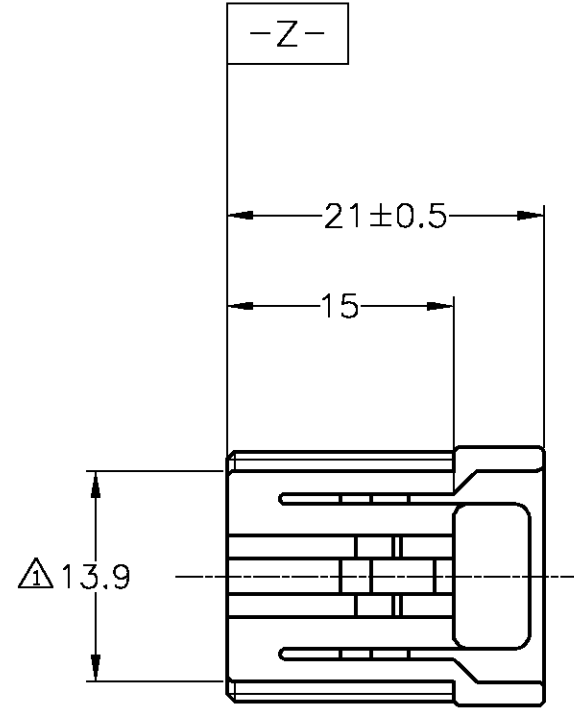
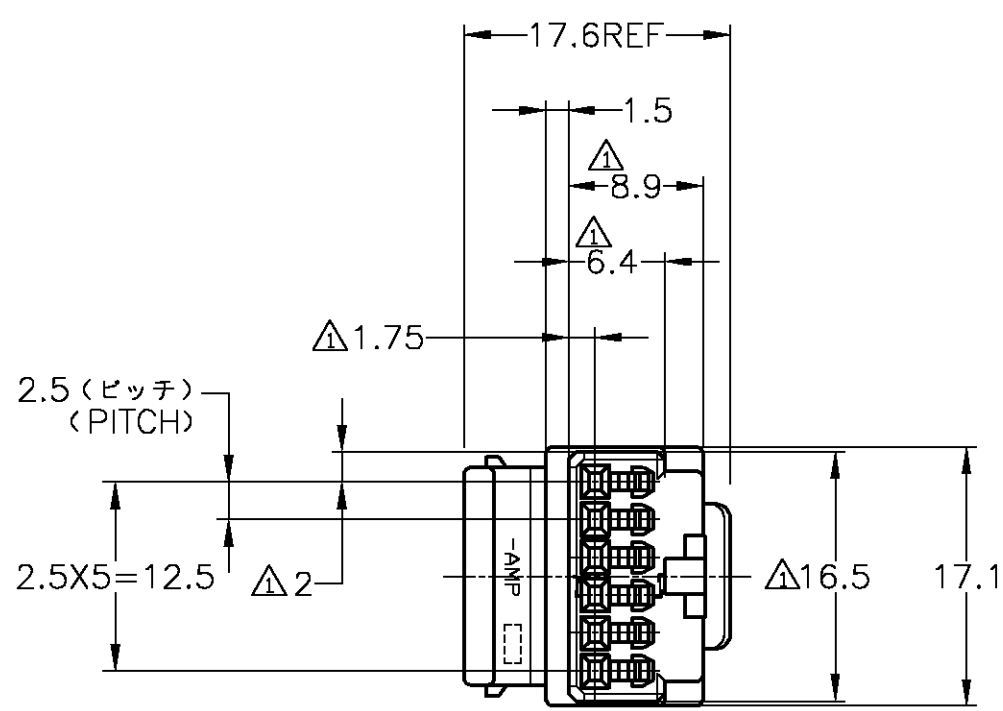


THIS DRAWING IS UNPUBLISHED. RELEASED FOR PUBLICATION
 © COPYRIGHT BY TYCO ELECTRONICS CORPORATION. ALL RIGHTS RESERVED.

LOC	DIST	REVISIONS					
		P	LTR	DESCRIPTION	DATE	DWN	APVD
—	—	01	REVISED	ECR-06-027725	28NOV06	MS	KB



- △ MUST BE KEPT BETWEEN \square -Z- AND 2mm
- 2. THE MATING CAP HOUSING PART NUMBER; 175506
- 3. APPLIED CONTACT PART NUMBER 173716, 176381
- 4. APPLICABLE PRODUCT SPEC NO. 108-5281

- △ \square -Z- 面より 2mm の範囲で測定
- 2. 嵌合相手ハウジング型番: 175506
- 3. 内装するリセプタクルコンタクト型番は 173716, 173681
- 4. 適用製品規格番号: 108-5318

黒 <BLACK>	175507-2
色 <COLOR>	PART NUMBER

TOLERANCES UNLESS OTHERWISE SPECIFIED: 一般公差

10 _μ	: ±0.2
30 _μ	> 10 : ±0.25
100 _μ	> 30 : ±0.3
ANGLE	: ±3°

THIS DRAWING IS A CONTROLLED DOCUMENT.		DWN M.SUGAWARA 24NOV06	tyco Electronics	Tyco Electronics AMP K.K. Kawasaki, Japan	
DIMENSIONS: 単位: 概 mm		CHK K.BETSUI 24NOV06		NAME 6 POSITION PLUG HOUSING	
TOLERANCES UNLESS OTHERWISE SPECIFIED: 一般公差		APVD K.BETSUI 24NOV06	040 SERIES MULTI-LOCK I/O CONNECTOR (NON INTERIA TYPE)		
0 PLC ± -		PRODUCT SPEC	SIZE		
1 PLC ± -		製品規格	CAGE CODE		
2 PLC ± -		SEE NOTE	DRAWING NO		
3 PLC ± -		APPLICATION SPEC	A300779 C-175507		
4 PLC ± -		取付適用規格	RESTRICTED TO		
ANGLES ± -		WEIGHT -	SCALE 2:1		
MATERIAL PBT		FINISH 仕上 -	SHEET 1 OF 1		
		CUSTOMER DRAWING	REV 01		

Mouser Electronics

Authorized Distributor

Click to View Pricing, Inventory, Delivery & Lifecycle Information:

[TE Connectivity:](#)

[175507-2](#)