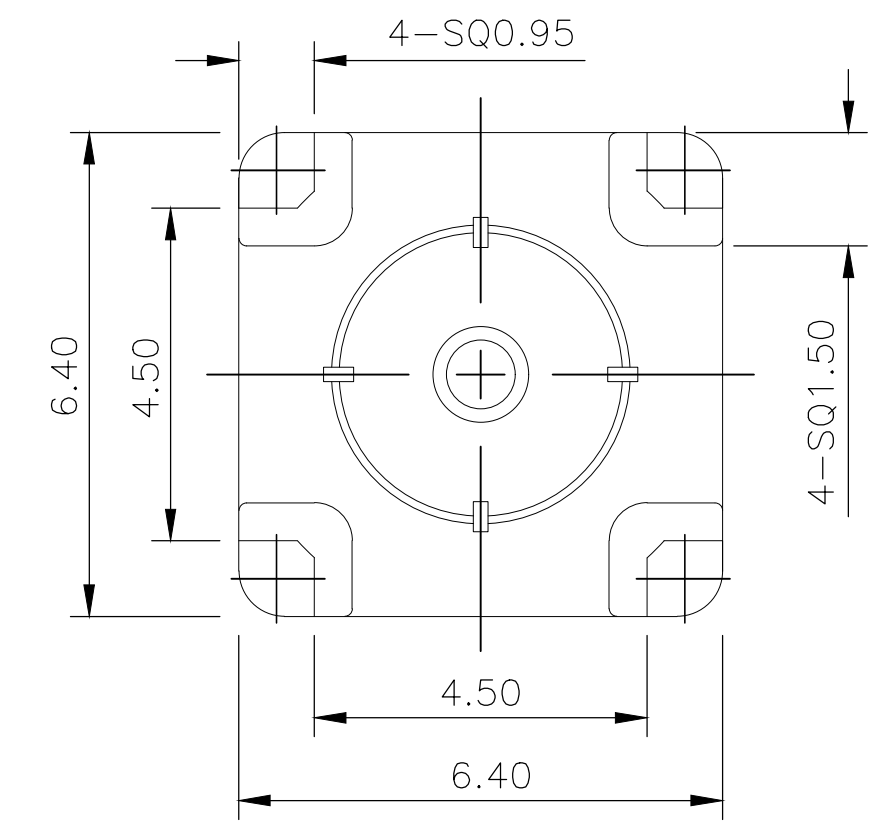
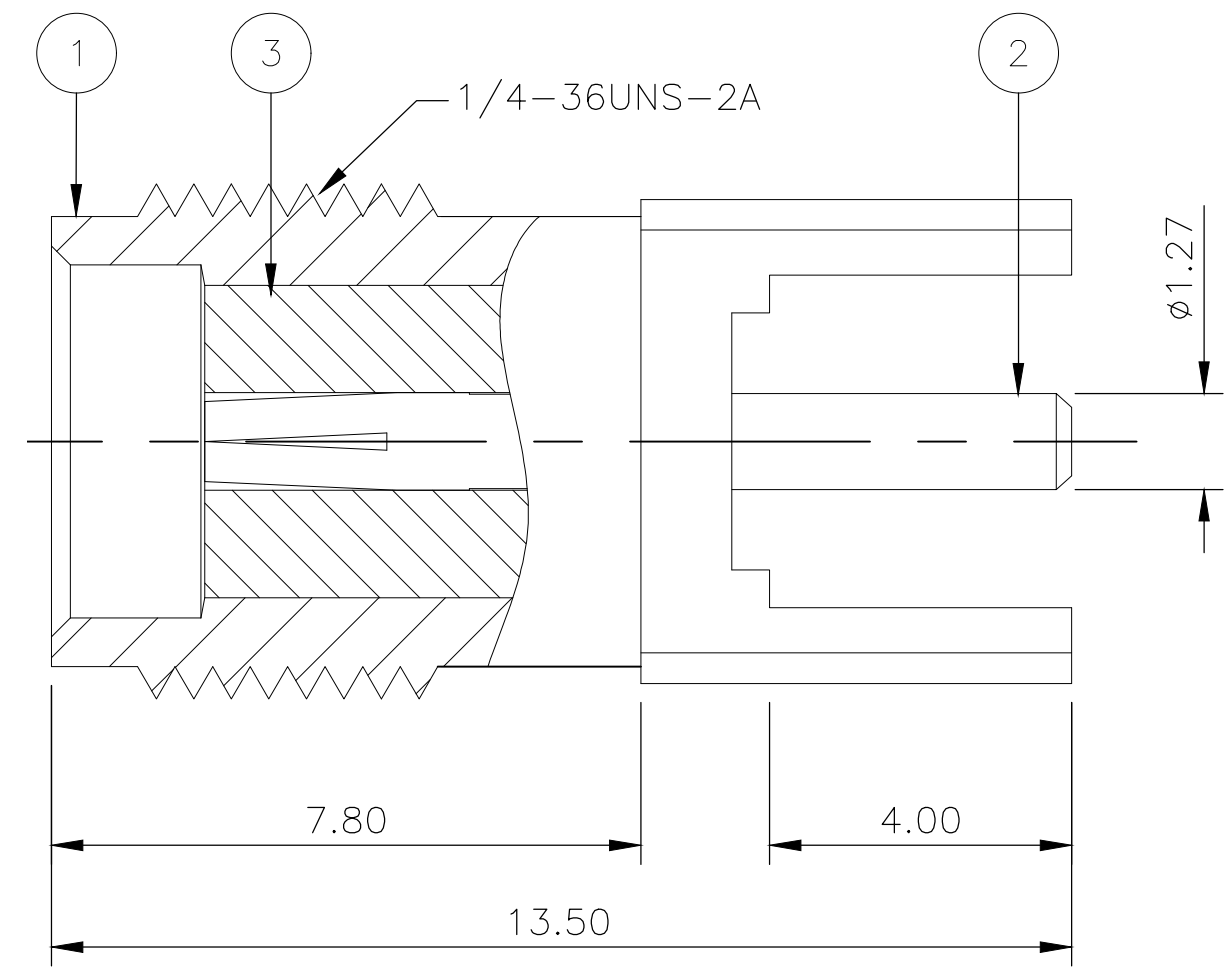
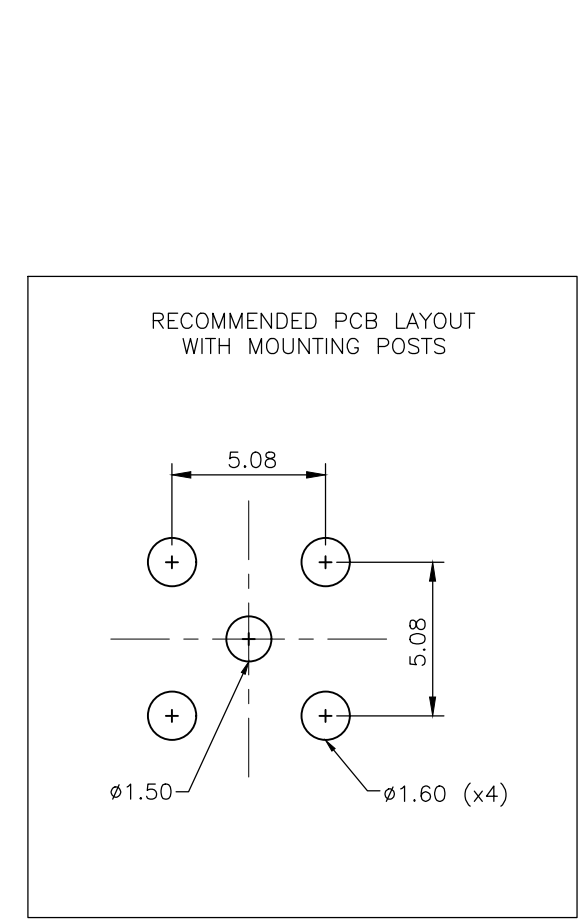


THIS DRAWING IS UNPUBLISHED. RELEASED FOR PUBLICATION JULY, 2006.
 © COPYRIGHT 2006 By - ALL RIGHTS RESERVED.

| REVISIONS | | | | | |
|-----------|-----|---------------|-----------|-----|------|
| P | LTR | DESCRIPTION | DATE | DWN | APVD |
| | B2 | ECO-18-017221 | 31OCT2018 | RZ | RS |

- NOTES**
- 1 SINGLE PACK IN ACCORDANCE WITH AMP SPEC 107-3275
 - 2 100 TRAY PACK IN ACCORDANCE WITH AMP SPEC 107-3275
 - 3 Au PLATING



| ELECTRICAL | MECHANICAL | ENVIRONMENTAL |
|---|---|--|
| Impedance (Ohm) <u>50</u> | Interface Dimension MIL-STD-348B Fig. <u>310-2</u> | TEMPERATURE RANGE <u>-65°C TO + 165°C</u> |
| Frequency Range (GHz) <u>DC to 6GHz</u> | Recommended Coupling Torque <u>7 to 10 In-Lbs</u> | THERMAL SHOCK <u>MIL-STD-202, METH.107, COND.B</u> |
| Voltage Rating (Peak) <u>335 V RMS</u> @ Sea Level | Force to Engage and Disengage (In/lbs) <u>2.0 MAX</u> | CORROSION <u>MIL-STD-202, METH.101, COND.B</u> |
| Insulation Resistance (MIN.) <u>1000 M ohms</u> | Center Contact Captivation Axial (Lbs) <u>3.0</u> Radial (In/Oz) <u>N/A</u> | VIBRATION <u>MIL-STD-202, METH.204, COND.B</u> |
| Contact Resistance (Milliohms MAX) Center Contact <u>3.0</u> Outer Contact <u>2.0</u> | Cable Retention Axial (Lbs) <u>N/A</u> | SHOCK <u>MIL-STD-202, METH.213, COND.I</u> |
| Dielectric Withstand Voltage: <u>1000 V RMS Max</u> | Mating cycles <u>500</u> cycles | MOISTURE RESISTANCE <u>MIL-STD-202, METH.106,</u> |
| Insertion Loss : <u>N/A dB</u> | | ROHS <u>COMPLIANT</u> |
| VSWR: <u>1.3 MAX</u> | | |
| RF leakage: <u>N/A</u> | | |
| 3rd Intermodulation: <u>N/A</u> | | |

| QTY | DESCRIPTION | ITEM |
|----------|------------------|------------------|
| 1 | PTFE | INSULATOR 3 |
| 1 | BERYLLIUM COPPER | SOCKET 2 |
| 1 | ZINC ALLOY | BODY 1 |
| 5--15--0 | MATERIAL | DESCRIPTION ITEM |

THIS DRAWING IS A CONTROLLED DOCUMENT.

| | |
|-------------------------|--|
| DWN ANSON MA 19FEB09 | TE Connectivity NAME SMA STRAIGHT PCB SOCKET DIE CAST SIZE CAGE CODE DRAWING NO RESTRICTED TO WEIGHT 0.000000 A3 00779 C-1814832 SCALE NTS SHEET 1 OF 1 REV B2 |
| CHK RITA ZUO 19FEB09 | |
| APVD BOB ZHAO 19FEB09 | |
| PRODUCT SPEC 108-112000 | |
| APPLICATION SPEC | |
| MATERIAL SEE TABLE | |

CUSTOMER DRAWING