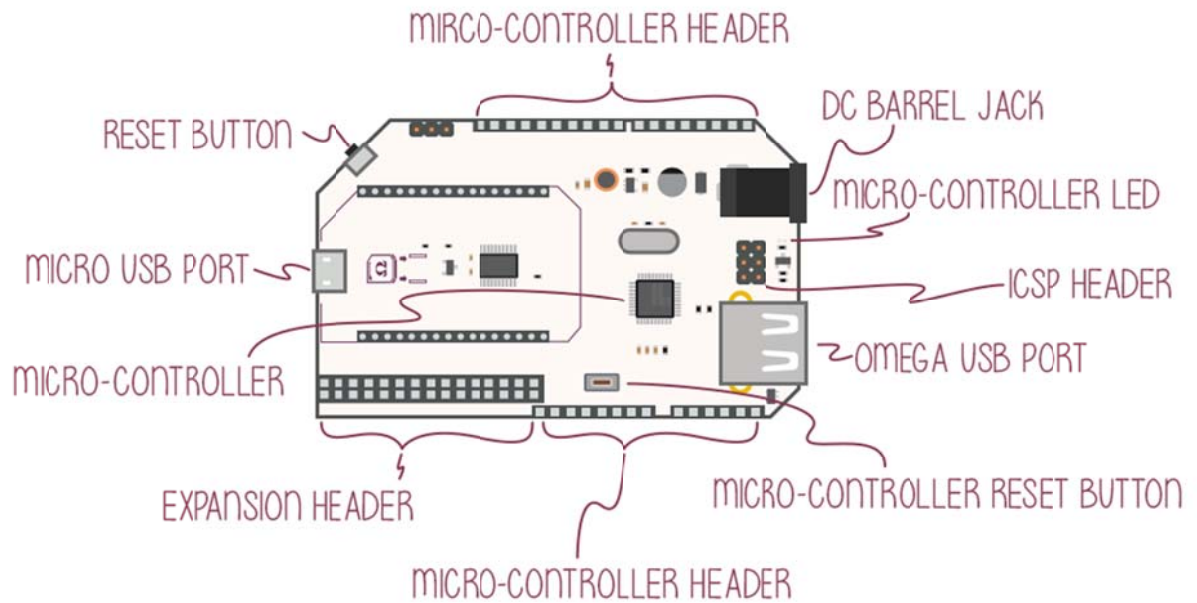


## The Hardware

The Arduino Dock includes an In-Circuit Serial Programming (ICSP) header to break out the SPI pins which can be used to program the Arduino Dock's microcontroller with an external programmer. Additionally, there is a USB-host port that is connected to the Omega which can be used for any sort of USB type application.



You can power the dock using a microUSB connection, or using the DC Barrel jack.