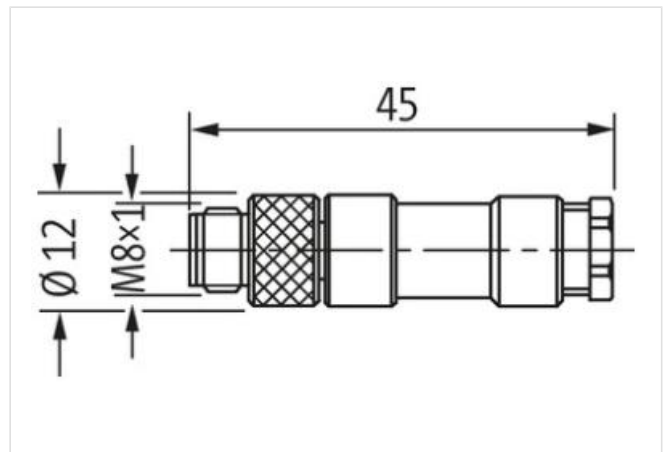
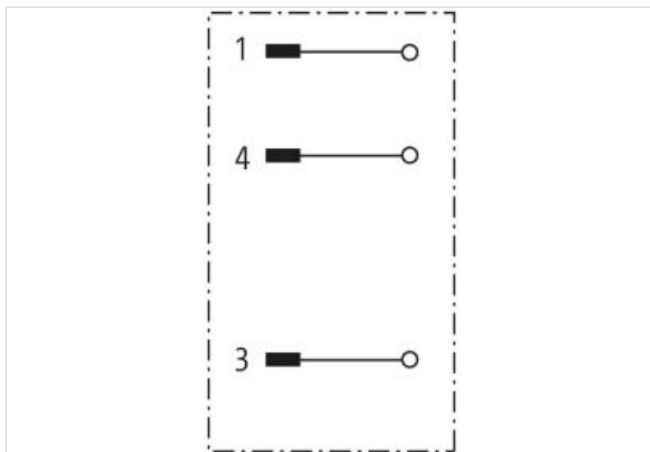
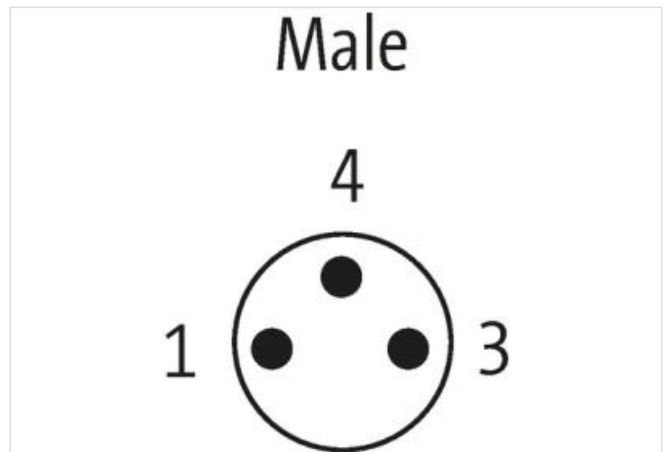


M8 male 0° A-cod. solder pins3-pol., 0.25mm², 3,5 - 5mm

Male straight

M8, 3-pole

with solder pins

Connection cross section: max. 0.25 mm²[Link to Product](#)**Illustration**

Product may differ from Image

Form

Form 08401

Technical Data

| | |
|-------------------------------|--|
| Operating voltage | max. 60 V AC/DC |
| Operating current per contact | max. 4 A |
| Connection cross section | max. 0.25 mm ² |
| Sealing range (cable Ø) | 3.5...5.0 mm |
| Protection | IP67 inserted and tightened (EN 60529) |

General data

| | |
|-------------------|--------------|
| Temperature range | -25...+85 °C |
| Dimensions H×W×D | 45×12×12 mm |

The information in this brochure has been compiled with the utmost care.

Liability for the correctness completeness and topicality of the information is restricted to gross negligence. Version: 2023-03-17

Murrelektronik GmbH | Falkenstr. 3 | 71570 Oppenweiler | Fon +49 (71 91) 47-0 | Fax +49 (71 91) 47-491000 | shop@murrelektronik.com | shop.murrelektronik.com

Product article number of manufacturer 7000-08401-0000000