

SUPPRESSOR FOR CONTACTORS

RC, 230 VAC/DC, 15 VA/W

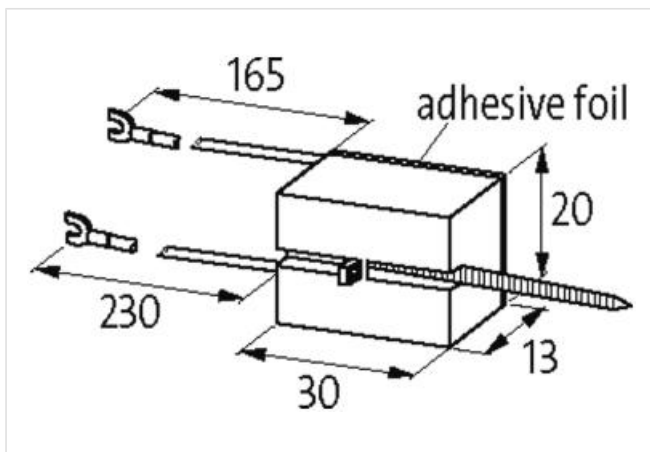
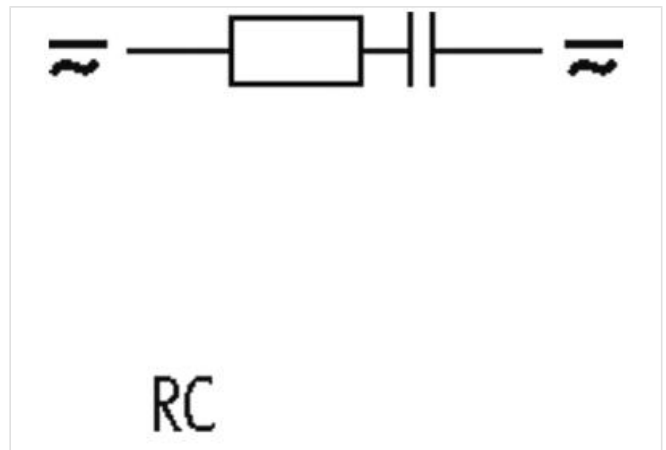
230 V AC/DC

RC

For other configurations and voltages, please inquire.

[Link to Product](#)

Illustration



Product may differ from Image



Technical Data

Input voltage	110...250 V AC/DC
Material	Flame retardant plastic acc. to (UL 94)
Damping factor	approx. 1.5× UN
Connection wires	self-securing cable forks
max. power (W)	15 W (VA)

General data

Temperature range	-20...+70 °C
Dimensions H×W×D	30×20×13 mm

Appropriate contactors

universal

Product article number of manufacturer	20002
--	-------