

# Chip NTC Thermistor

ABNTC-0805

RoHS/RoHS II Compliant



2.0 x 1.25 x 0.85 mm

## FEATURES:

- Large B constant for high temperature sensing capability
- Designed for high density
- Available in standard EIA compatible case size
- Internal electrode designed for enhanced reliability
- Excellent aging stability

## APPLICATIONS:

- For temperature measurement or sensor: Digital thermometer, measuring instruments, temperature controller
- For temperature compensation: transistor circuit, TCXO, Crystal Oscillator
- LED lighting driver, Notebook, Cell Phone, Power Supplies, Disk Drive

## STANDARD SPECIFICATIONS:

**Operating Temperature:** -55°C ~+125°C

**Storage Temperature:** -10°C ~ +40°C and RH 75% (Max.)

Part Number	Resistance at 25°C R25 (kΩ)	R25 Tolerance	B constant (25-50 °C) (K)	B Tolerance	Max. Permissible Operating Current (25 °C) (mA)	Thermal Time Constant	Dissipation Factor (mW/ °C)	Rated Electric Power (mW)
ABNTC-0805-502Δ-3950□	5.0	H, J, K	3950	H	0.60	<5sec	2.0	200
ABNTC-0805-103Δ-3450□	10	F, H, J, K	3450	F, H	0.40			
ABNTC-0805-103Δ-3950□	10	F, H, J, K	3950	F, H	0.44			
ABNTC-0805-223Δ-4050□	22	F, H, J, K	4050	F, H	0.31			
ABNTC-0805-473Δ-4150□	47	F, H, J, K	4150	F, H	0.20			
ABNTC-0805-503Δ-4150□	50	F, H, J, K	4150	F, H	0.18			
ABNTC-0805-104Δ-4250□	100	F, H, J, K	4250	F, H	0.14			

Δ Please specify the tolerance code of R25 (F=±1%, H=±3%, J=±5%, K=±10%).

□: Please specify the tolerance code of B value (F=±1%, H=±3%).

## Test Conditions

Unless otherwise specified, the standard atmospheric conditions for measurement/test as:

- a. Ambient Temperature: 20±15°C
- b. Relative Humidity: 65±20%
- c. Air Pressure: 86 kPa to 106 kPa

# Chip NTC Thermistor

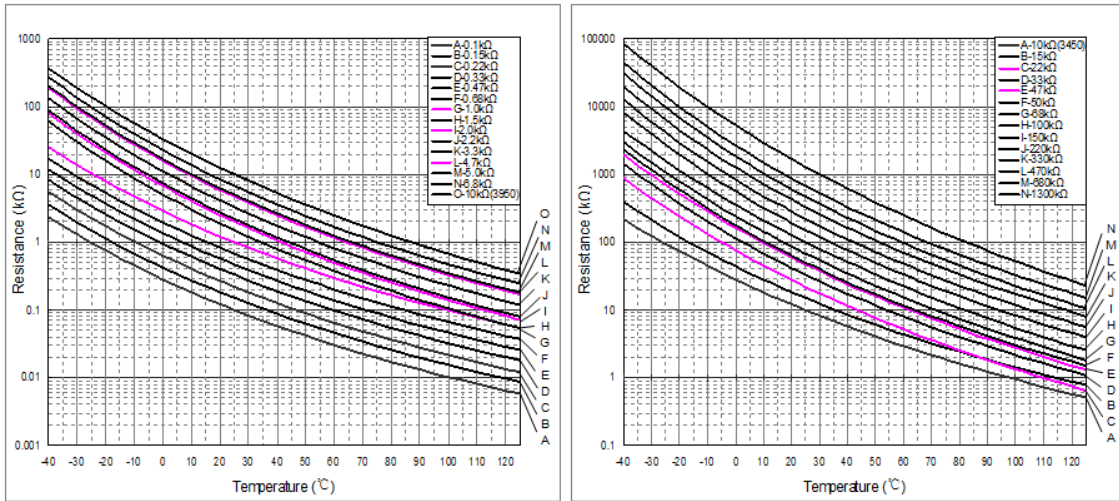
ABNTC-0805

RoHS/RoHS II Compliant



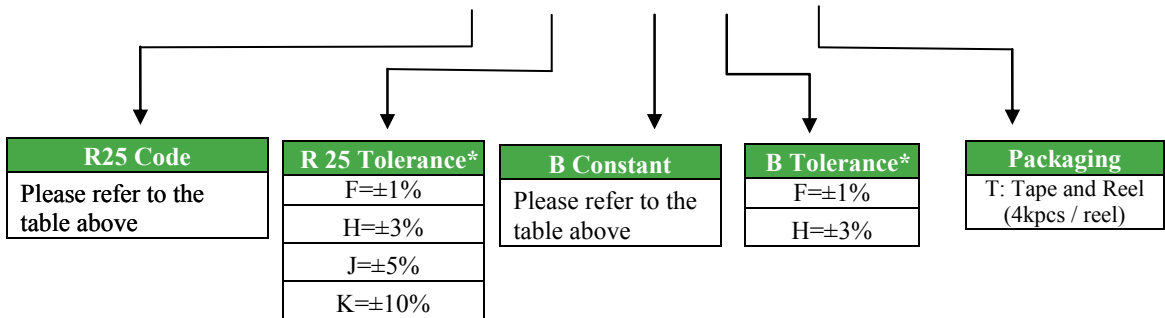
2.0 x 1.25 x 0.85 mm

## ELECTRICAL CHARACTERISTICS CURVES



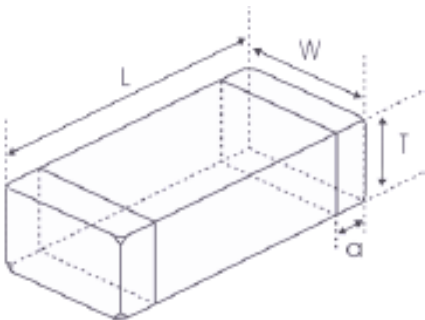
## OPTIONS AND PART IDENTIFICATION:

ABNTC-0805- [ ] [ ] - [ ] [ ] - T



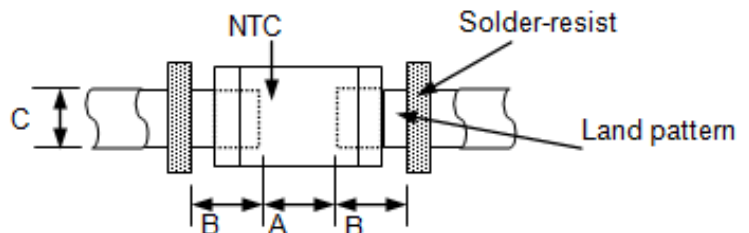
\* Please Reference electrical specifications table for available tolerances for each varistor combination.

## OUTLINE DIMENSION:



L	W	T	a
2.0±0.2	1.25±0.2	0.85±0.2	0.5±0.3

## Recommended Land Pattern



A	B	C
0.80~1.20	0.80~1.20	0.90~1.60

Dimension: mm

# Chip NTC Thermistor

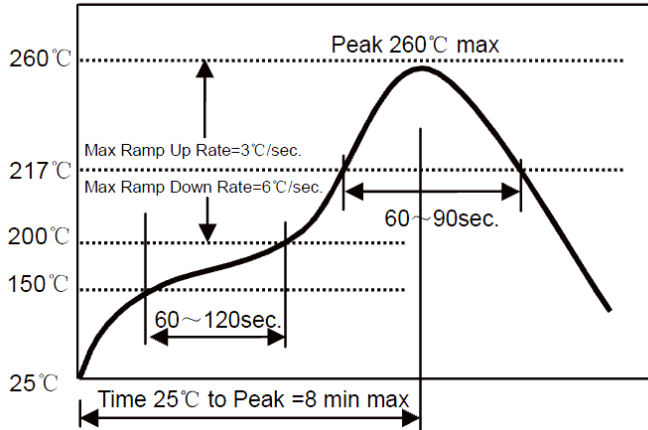
ABNTC-0805

RoHS/RoHS II Compliant



2.0 x 1.25 x 0.85 mm

## REFLOW PROFILE:



Preheat Condition	150 to 200 °C; 60 to 120 sec.
Allowed time above 217 °C	60 to 90 sec.
Max temperature	260 °C
Max time at max temperature	10 sec.
Solder paste	Sn/3.0Ag/0.5Cu
Allowed Reflow time	2x max.

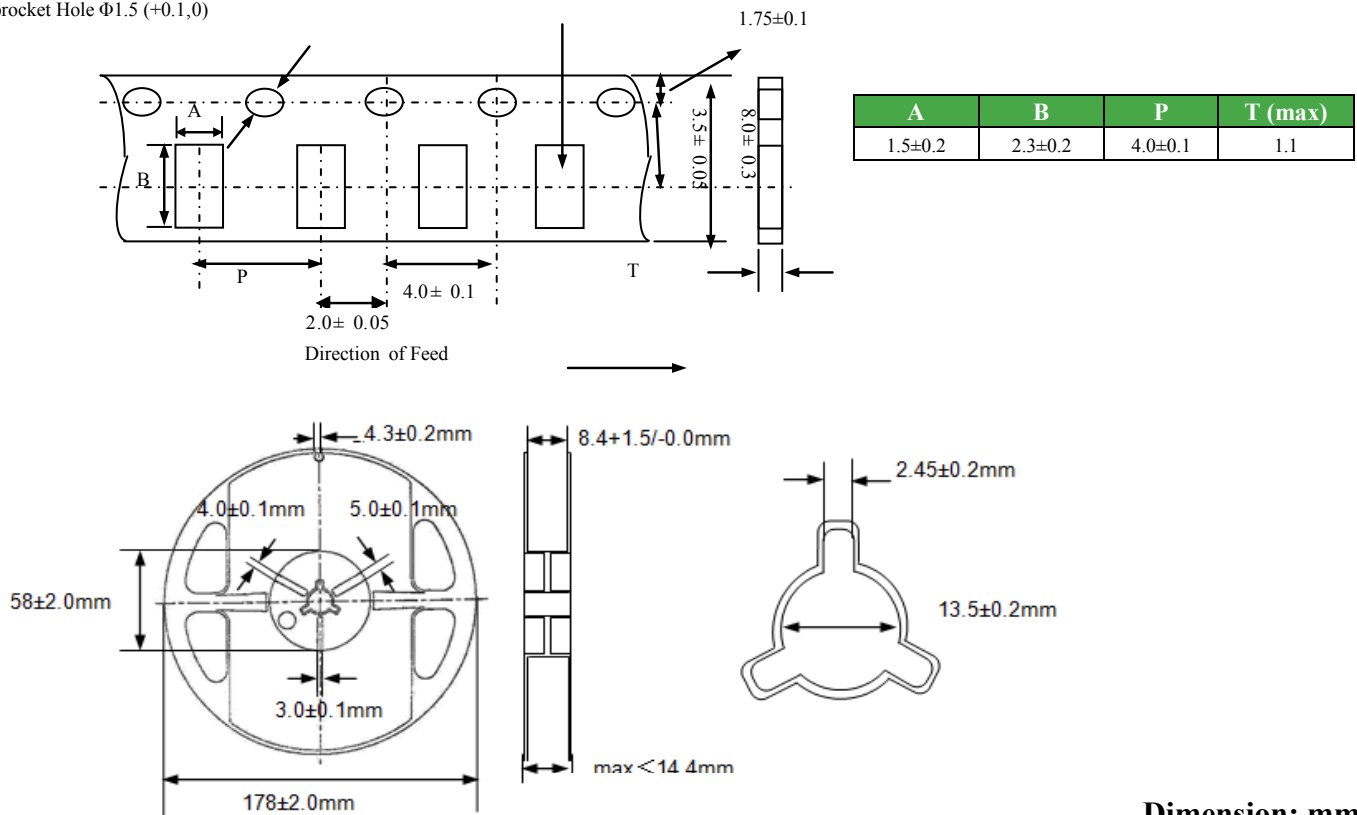
## TAPE & REEL:

### Packing

T: 4,000pcs / reel

Sprocket Hole  $\Phi 1.5 (+0.1,0)$

Chip Cavity



**ATTENTION:** Abracon LLC's products are COTS – Commercial-Off-The-Shelf products; suitable for Commercial, Industrial and, where designated, Automotive Applications. Abracon's products are not specifically designed for Military, Aviation, Aerospace, Life-dependent Medical applications or any application requiring high reliability where component failure could result in loss of life and/or property. For applications requiring high reliability and/or presenting an extreme operating environment, written consent and authorization from Abracon LLC is required. Please contact Abracon LLC for more information.

# Mouser Electronics

Authorized Distributor

Click to View Pricing, Inventory, Delivery & Lifecycle Information:

## ABRACON:

[ABNTC-0805-104J-4250F-T](#) [ABNTC-0805-103J-3450F-T](#) [ABNTC-0805-472J-3950F-T](#) [ABNTC-0805-103J-3950F-T](#)  
[ABNTC-0805-223J-4050F-T](#)