

Epoxy Coated Power Inductor

AIAP-01



RoHS/RoHS II Compliant

9.14 x Ø3.9mm

10.7 x Ø4.6mm



FEATURES:

- Low cost axial leaded inductors
- High current rating
- Wide inductance range

APPLICATIONS:

- Power supplies
- Switching circuits
- TV and audio equipment
- Telecommunication devices
- RF and other filters

ELECTRICAL SPECIFICATIONS:

| Part No. AIAP-01- Inductance Code | L(μH) | Tolerance | DCR(Ω) | SRF(MHz) | I _{DC} (mA) | Inductance Code |
|---|-------|-----------|--------|----------|----------------------|-----------------|
| | | (%) | (max) | (min) | (max) | |
| AIAP -01-1R0 | 1.0 | K | 0.030 | 190 | 3300 | 1R0 |
| AIAP -01-1R2 | 1.2 | K | 0.019 | 170 | 3200 | 1R2 |
| AIAP -01-1R5 | 1.5 | K | 0.020 | 160 | 3100 | 1R5 |
| AIAP -01-1R8 | 1.8 | K | 0.023 | 150 | 2900 | 1R8 |
| AIAP -01-2R2 | 2.2 | K | 0.031 | 130 | 2600 | 2R2 |
| AIAP -01-2R7 | 2.7 | K | 0.033 | 120 | 2500 | 2R7 |
| AIAP -01-3R3 | 3.3 | K | 0.054 | 110 | 1900 | 3R3 |
| AIAP -01-3R9 | 3.9 | K | 0.060 | 100 | 1800 | 3R9 |
| AIAP -01-4R7 | 4.7 | K | 0.068 | 86 | 1700 | 4R7 |
| AIAP -01-5R6 | 5.6 | K | 0.074 | 64 | 1600 | 5R6 |
| AIAP -01-6R8 | 6.8 | K | 0.080 | 44 | 1600 | 6R8 |
| AIAP -01-8R2 | 8.2 | K | 0.087 | 32 | 1500 | 8R2 |
| AIAP -01-100 | 10 | K | 0.095 | 25 | 1500 | 100 |
| AIAP -01-120 | 12 | K | 0.11 | 17 | 1400 | 120 |
| AIAP -01-150 | 15 | K | 0.15 | 13 | 1200 | 150 |
| AIAP -01-180 | 18 | K | 0.16 | 10 | 1100 | 180 |
| AIAP -01-220 | 22 | K | 0.19 | 8.4 | 1000 | 220 |
| AIAP -01-270 | 27 | K | 0.22 | 8.0 | 950 | 270 |
| AIAP -01-330 | 33 | K | 0.29 | 7.6 | 910 | 330 |
| AI AP -01-390 | 39 | K | 0.26 | 7.1 | 880 | 390 |
| AIAP -01-470 | 47 | K | 0.35 | 6.0 | 760 | 470 |
| AIAP -01-560 | 56 | K | 0.47 | 5.8 | 650 | 560 |
| AIAP -01-680 | 68 | K | 0.53 | 4.3 | 610 | 680 |
| AIAP -01-820 | 82 | K | 0.60 | 4.1 | 580 | 820 |
| AIAP -01-101 | 100 | K | 0.67 | 3.9 | 550 | 101 |
| AIAP -01-121 | 120 | K | 0.9 | 3.6 | 470 | 121 |
| AIAP -01-151 | 150 | K | 1.2 | 3.2 | 410 | 151 |
| AIAP -01-181 | 180 | K | 1.4 | 2.8 | 380 | 181 |
| AIAP -01-221 | 220 | K | 1.9 | 2.3 | 320 | 221 |
| AIAP -01-271 | 270 | K | 2.1 | 2.1 | 310 | 271 |
| AIAP -01-331 | 330 | K | 2.4 | 1.9 | 290 | 331 |
| AIAP -01-391 | 390 | K | 3.0 | 1.7 | 260 | 391 |
| AIAP -01-471 | 470 | K | 3.4 | 1.4 | 240 | 471 |
| AIAP -01-561 | 560 | K | 4.7 | 1.3 | 210 | 561 |
| AIAP -01-681 | 680 | K | 6.4 | 1.2 | 180 | 681 |
| AIAP -01-821 | 820 | K | 7.1 | 1.1 | 170 | 821 |
| AIAP -01-102 | 1000 | K | 9.0 | 1.0 | 160 | 102 |
| AIAP -01-122 | 1200 | K | 9.0 | 0.94 | 150 | 122 |
| AIAP -01-152 | 1500 | K | 13.5 | 0.76 | 130 | 152 |
| AIAP -01-182 | 1800 | K | 14.0 | 0.72 | 120 | 182 |
| AIAP -01-222 | 2200 | K | 19.0 | 0.64 | 100 | 222 |
| AIAP -01-272 | 2700 | K | 25.0 | 0.56 | 90 | 272 |
| AIAP -01-332 | 3300 | K | 29.0 | 0.53 | 83 | 332 |
| AIAP -01-392 | 3900 | K | 34.0 | 0.48 | 77 | 392 |
| AIAP -01-472 | 4700 | K | 45.0 | 0.45 | 74 | 472 |
| AIAP -01-562 | 5600 | K | 55.0 | 0.40 | 63 | 562 |
| AIAP -01-682 | 6800 | K | 60.0 | 0.36 | 59 | 682 |
| AIAP -01-822 | 8200 | K | 75.0 | 0.29 | 54 | 822 |
| AIAP -01-103 | 10000 | K | 85.0 | 0.27 | 52 | 103 |

Epoxy Coated Power Inductor

AIAP-01

 RoHS/RoHS II Compliant

9.14 x Ø3.9mm
10.7 x Ø4.6mm



Test Conditions and equipments

Test frequency: 7.9MHz for 1.0µH to 8.2µH, 1KHz for 10µH to 10000µH

I_{DC}: 10% inductance dropstypical

Operating Temperature

-40°C ~ +105 °C

Storage Temperature

-40°C ~ +85 °C

PART NUMBER IDENTIFICATION

AIAP -01- -

Inductance Code

Please refer to Electrical Specifications Table

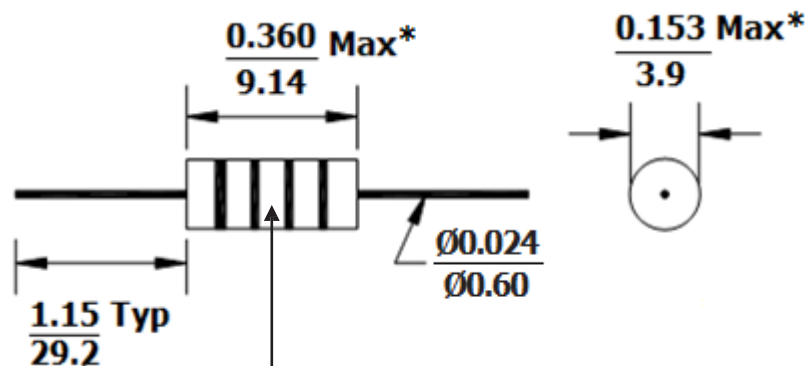
Tolerance

K : ±10%

Packaging

T: Tape and Reel
(2.5kpcs / reel)

OUTLINE DRAWING:



Clear Epoxy Coating

*L ≥ 8200µH: Diameter = 0.181inches / 4.6mm Max
Length = 0.42inches / 10.7mm Max

Epoxy Coated Power Inductor

AIAP-01

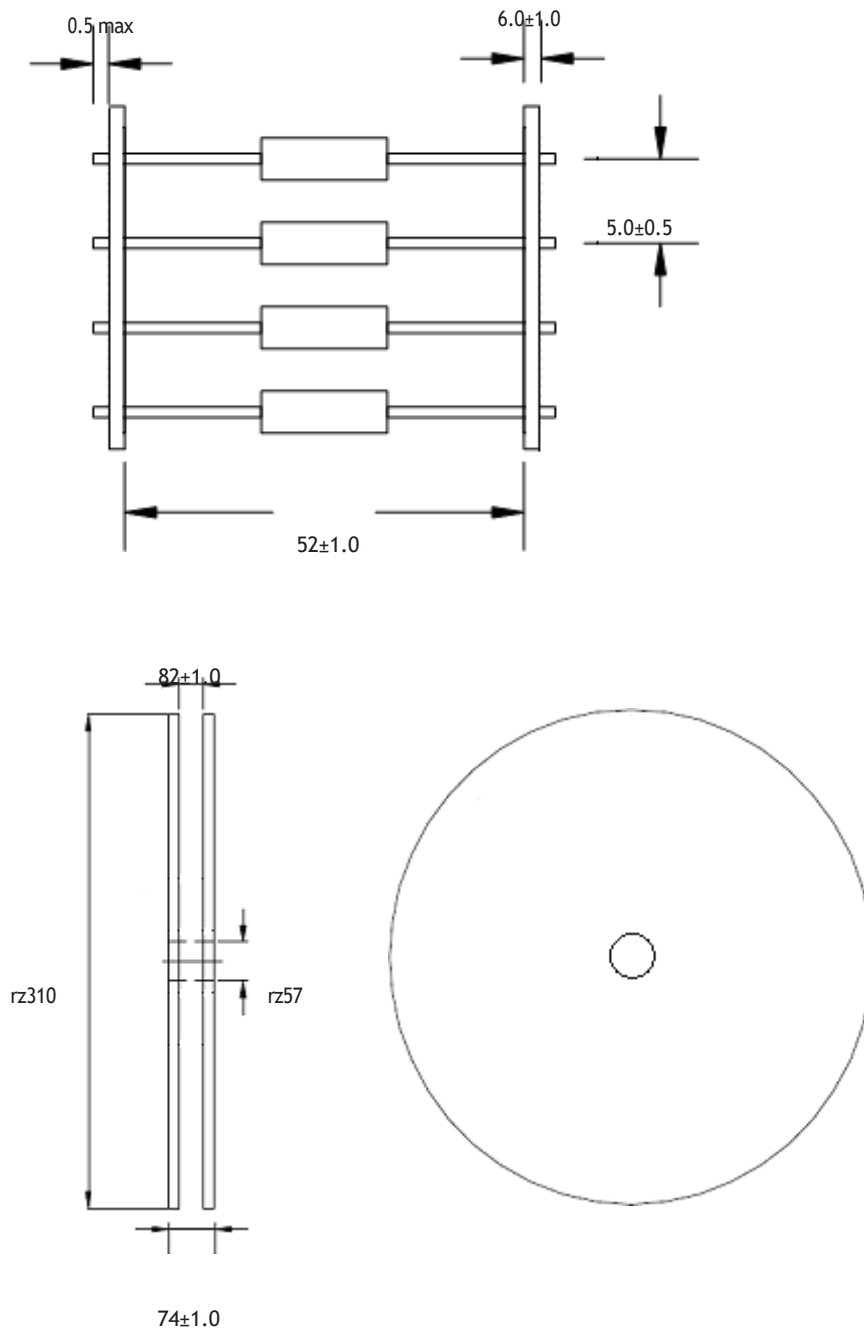
 RoHS/RoHS II Compliant

9.14 x Ø3.9mm
10.7 x Ø4.6mm



ELECTRICAL SPECIFICATIONS:

T: 2,500pcs/Reel



Dimension: mm

ATTENTION: Abracon LLC's products are COTS – Commercial-Of-The-Shelf products; suitable for Commercial, Industrial and, where designated, Automotive Applications. Abracon's products are not specifically designed for Military, Aviation, Aerospace, Life-dependent Medical applications or any application requiring high reliability where component failure could result in loss of life and/or property. For applications requiring high reliability and/or presenting an extreme operating environment, written consent and authorization from Abracon LLC is required. Please contact Abracon LLC for more information.

Mouser Electronics

Authorized Distributor

Click to View Pricing, Inventory, Delivery & Lifecycle Information:

ABRACON:

[AIAP-01-560K-T](#) [AIAP-01-1R5K-T](#) [AIAP-01-220K-T](#) [AIAP-01-2R7K-T](#) [AIAP-01-221K-T](#) [AIAP-01-270K-T](#) [AIAP-01-390K-T](#) [AIAP-01-470K-T](#) [AIAP-01-101K-T](#) [AIAP-01-150K-T](#) [AIAP-01-331K-T](#) [AIAP-01-562K-T](#) [AIAP-01-682K-T](#) [AIAP-01-391K-T](#) [AIAP-01-122K-T](#) [AIAP-01-182K-T](#) [AIAP-01-3R9K-T](#) [AIAP-01-120K-T](#) [AIAP-01-271K-T](#) [AIAP-01-272K-T](#) [AIAP-01-820K-T](#) [AIAP-01-821K-T](#) [AIAP-01-222K-T](#) [AIAP-01-392K-T](#) [AIAP-01-152K-T](#) [AIAP-01-2R2K-T](#) [AIAP-01-4R7K-T](#) [AIAP-01-822K-T](#) [AIAP-01-332K-T](#) [AIAP-01-681K-T](#) [AIAP-01-561K-T](#) [AIAP-01-5R6K-T](#) [AIAP-01-121K-T](#) [AIAP-01-330K-T](#) [AIAP-01-8R2K-T](#) [AIAP-01-102K-T](#) [AIAP-01-1R0K-T](#) [AIAP-01-472K-T](#) [AIAP-01-680K-T](#) [AIAP-01-6R8K-T](#) [AIAP-01-151K-T](#) [AIAP-01-471K-T](#) [AIAP-01-103K-T](#) [AIAP-01-181K-T](#) [AIAP-01-180K-T](#) [AIAP-01-1R8K-T](#) [AIAP-01-3R3K-T](#) [AIAP-01-1R2K-T](#) [AIAP-01-100K-T](#)