

Multilayer Ferrite Chip Bead (High Current)



1.00 x 0.50 x 0.50mm

ACML-0402HC



RoHS/RoHS II Compliant

FEATURES:

- Multilayer monolithic structure yields high reliability
- Unique terminal electrode design ensures high rated current
- High impedance over a wide frequency range

APPLICATIONS:

- Noise suppression for computers and peripheral devices, DVD cameras, LCD TVs, communication equipments, OA equipments, etc.
- Reduces noise in ultra high speed circuits as well

STANDARD SPECIFICATIONS:

Operating Temperature: -55°C ~ +125°C

Storage Temperature: -55°C to +125°C

Part Number ACML-0402HC- Impedance Code	Impedance	Frequency	DC resistance	Rated Current
Units	$\Omega \pm 25\%$	MHz	Ω max	mA max
Symbol	Z	F	R _{DC}	I _R
ACML-0402HC-100	10	100	0.045	2000
ACML-0402HC-300	30	100	0.035	2200
ACML-0402HC-330	33	100	0.035	2200
ACML-0402HC-600	60	100	0.075	1500
ACML-0402HC-800	80	100	0.070	1500
ACML-0402HC-121	120	100	0.090	1300
ACML-0402HC-221	220	100	0.160	900
ACML-0402HC-301	300	100	0.200	600
ACML-0402HC-471	470	100	0.300	500
ACML-0402HC-601	600	100	0.340	500

Test Conditions and Equipments

I_R: Rated current applied when the chip surface temperature rise just 40°C against chip surface temperature.

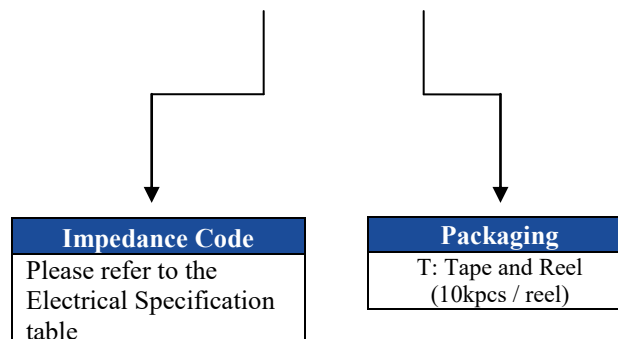
Electric power supplier, Electric current meter, Thermometer.

Z: Impedance Analyzer HP4291 or equivalent, 50mV.

DCR: LCR Meter HP4263A or equivalent

OPTIONS AND PART IDENTIFICATION:

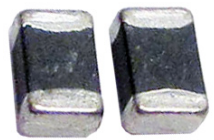
ACML-0402HC- -



Multilayer Ferrite Chip Bead (High Current)

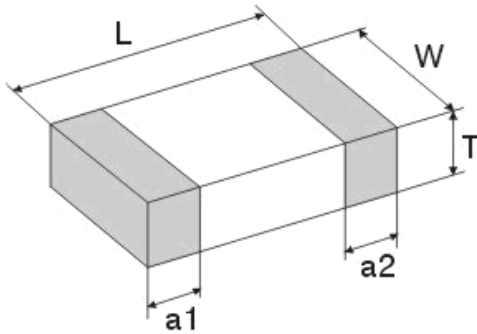
ACML-0402HC

 RoHS/RoHS II Compliant



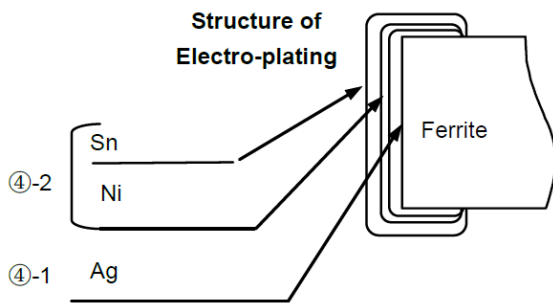
1.00 x 0.50 x 0.50mm

OUTLINE DIMENSIONS:



L	W	T	a1, a2
1.00±0.15	0.50±0.15	0.50±0.15	0.25±0.10

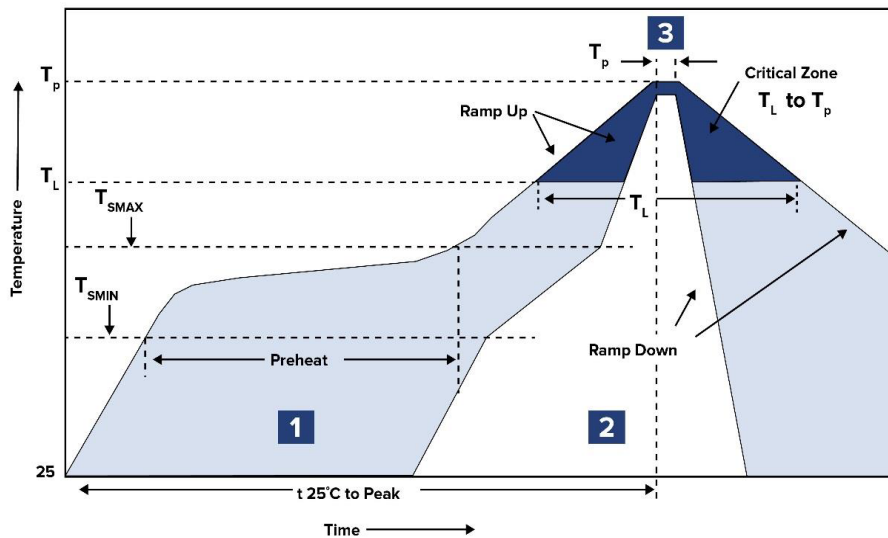
Materials



	Part Name	Material
1	Base Material	Ferrite
2	Internal Conductor	Ag
3	Terminal Electrode	Ag
4	Terminal Electrode	Ni-Sn

Dimension: mm

REFLOW PROFILE



Zone	Description	Temperature	Times
1	Preheat	$T_{SMIN} \sim T_{SMAX}$ 150°C ~ 200°C	60 ~ 120 sec.
2	Reflow	T_L 217°C	60 ~ 90 sec.
3	Peak heat	T_P 260°C	10 sec. Max

Multilayer Ferrite Chip Bead (High Current)

ACML-0402HC

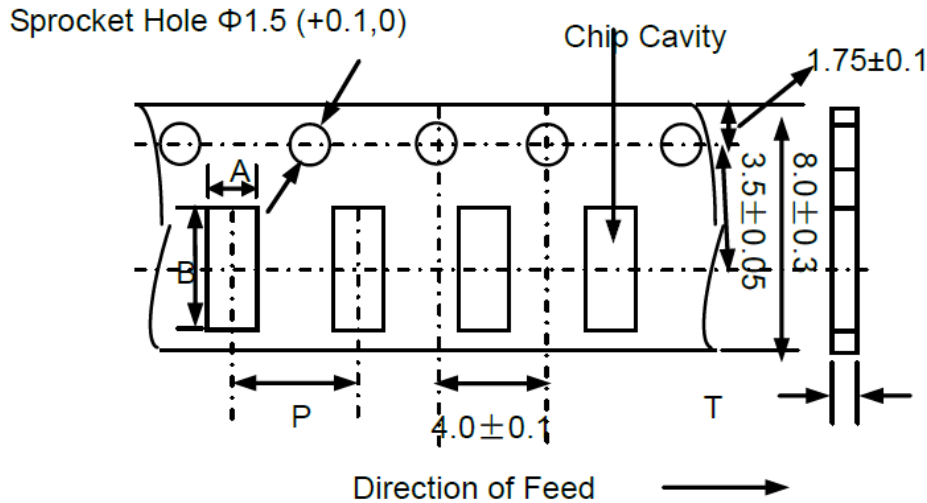
 RoHS/RoHS II Compliant



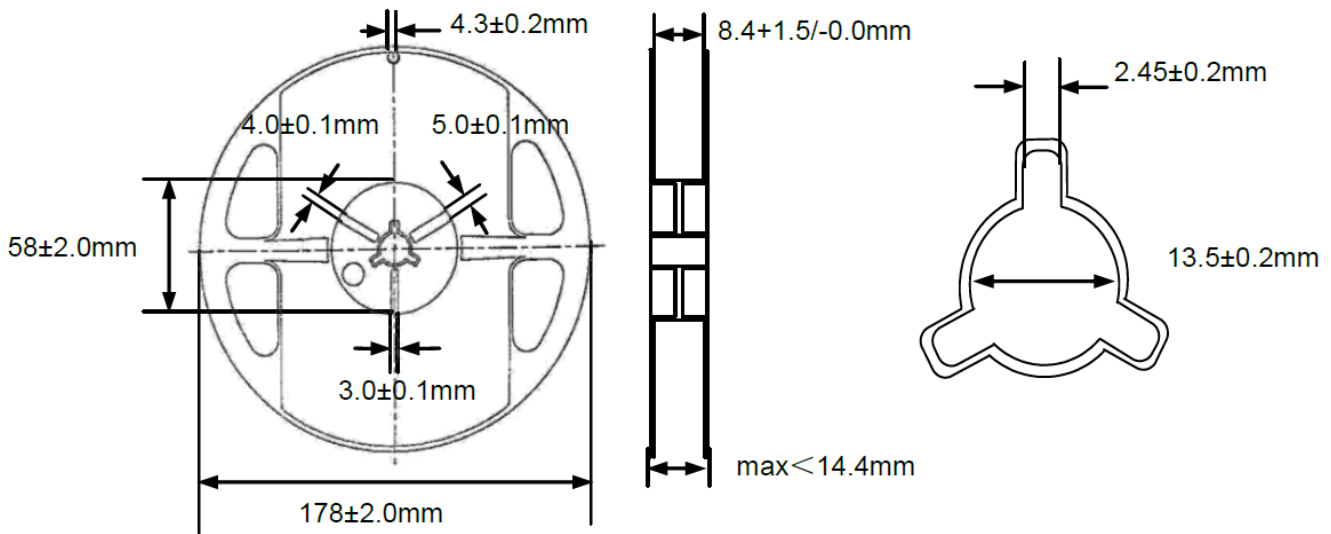
1.00 x 0.50 x 0.50mm

TAPE & REEL:

T= tape and reel (10,000 pcs/reel)



Reel Dimensions			
A	B	P	T max
0.65 ± 0.1	1.15 ± 0.1	2.0 ± 0.05	0.8



Dimension: mm

ATTENTION: Abracon LLC's products are COTS – Commercial-Off-The-Shelf products; suitable for Commercial, Industrial and, where designated, Automotive Applications. Abracon's products are not specifically designed for Military, Aviation, Aerospace, Life-dependant Medical applications or any application requiring high reliability where component failure could result in loss of life and/or property. For applications requiring high reliability and/or presenting an extreme operating environment, written consent and authorization from Abracon LLC is required. Please contact Abracon LLC for more information.

Mouser Electronics

Authorized Distributor

Click to View Pricing, Inventory, Delivery & Lifecycle Information:

ABRACON:

[ACML-0402HC-600-T](#) [ACML-0402HC-700-T](#) [ACML-0402HC-121-T](#) [ACML-0402HC-221-T](#) [ACML-0402HC-301-T](#)