

# ULTRA MINIATURE CERAMIC GLASS SEALED SMD CRYSTAL



3.2 x 2.5 x 1.0mm

**ABM8G**

Pb in glass exemption 7 (c)-I per  
RoHS II 2011/65/EU Annex

RoHS/RoHS II Compliant

**Moisture Sensitivity Level (MSL) – This product is Hermetically Sealed and not Moisture Sensitive - MSL = N/A: Not Applicable**

## FEATURES:

- Low in height; suitable for thin equipment
- Glass sealed package assures high reliability and high temperature operation
- Tight tolerance and stability available
- IR reflow capable
- Low cost version of ABM8 crystal

## APPLICATIONS:

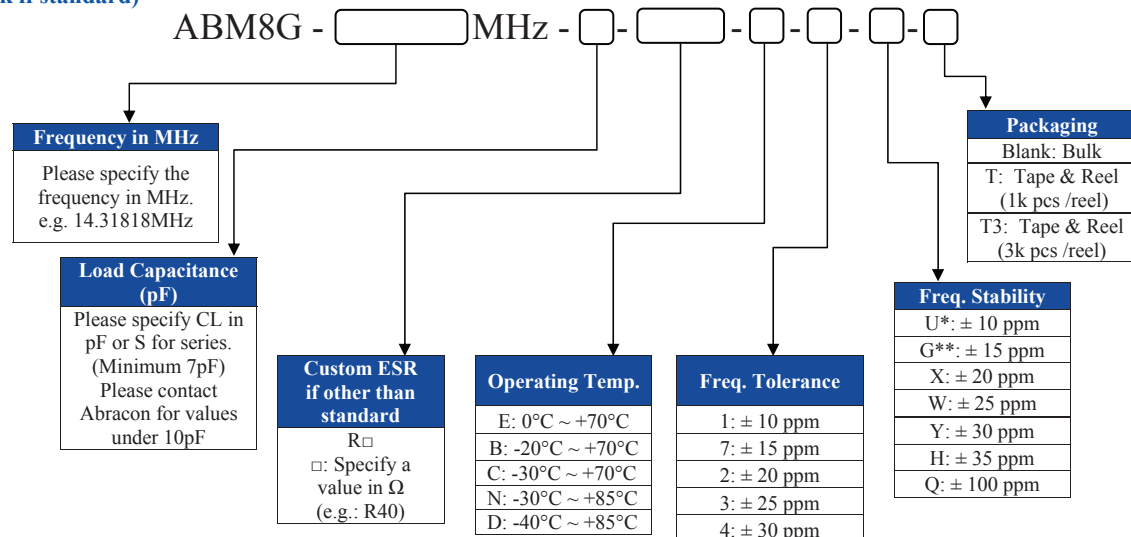
- High density applications.
- Modems, communication and test equipment.
- PCMCIA, wireless applications

## STANDARD SPECIFICATIONS:

Parameters	Minimum	Typical	Maximum	Units	Notes
Frequency Range	12.000		50.000	MHz	
Operation Mode	Fundamental				
Operating Temperature	-10		+60	°C	See options
Storage Temperature	-40		+85	°C	
Frequency Tolerance @+25°C	-50		+50	ppm	See options
Frequency Stability over the Operating Temperature (ref. to +25°C)	-50		+50	ppm	See options
Equivalent series resistance			120	Ω	12.000MHz
			80		12.001MHz ~ 20.000MHz
			60		20.001MHz ~ 28.000MHz
			50		28.001MHz ~ 50.000MHz
Shunt capacitance (C0)			5.0	pF	
Load capacitance (CL)	10			pF	See options
Drive Level		10	100	μW	
Aging@25°C±3°C			±3	ppm	First year
Insulation Resistance	500			M Ω	@ 100Vdc ± 15V

## OPTIONS & PART IDENTIFICATION:

(Left blank if standard)



\* -10 ~ 60°C only. Contact Abracon for tighter freq. stability.

\*\* -10 ~ 60°C option E, B, C, N only.

ABRACON IS  
ISO 9001 : 2008  
CERTIFIED



2 Faraday, Suite# B | Irvine | CA 92618 **Revised: 08.13.15**

Ph. 949.546.8000 | Fax. 949.546.8001

Visit [www.abracon.com](http://www.abracon.com) for Terms and Conditions of Sale

# ULTRA MINIATURE CERAMIC GLASS SEALED SMD CRYSTAL



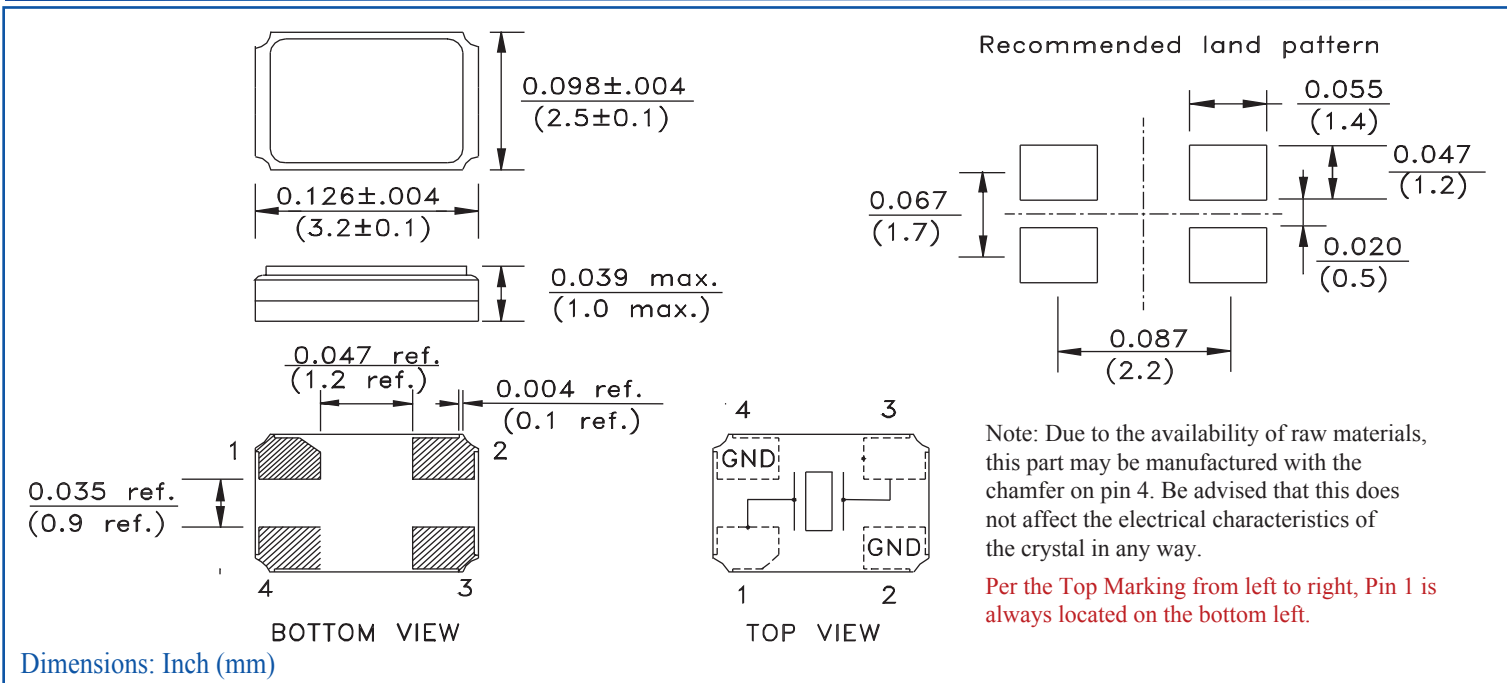
3.2 x 2.5 x 1.0mm

ABM8G

Pb in glass exemption 7 (c)-I per  
RoHS II 2011/65/EU Annex

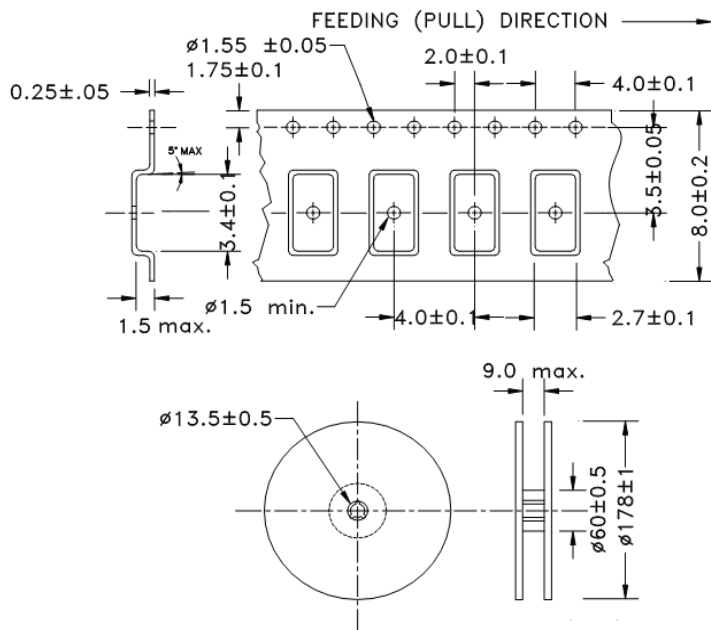
RoHS/RoHS II Compliant

## OUTLINE DRAWING:

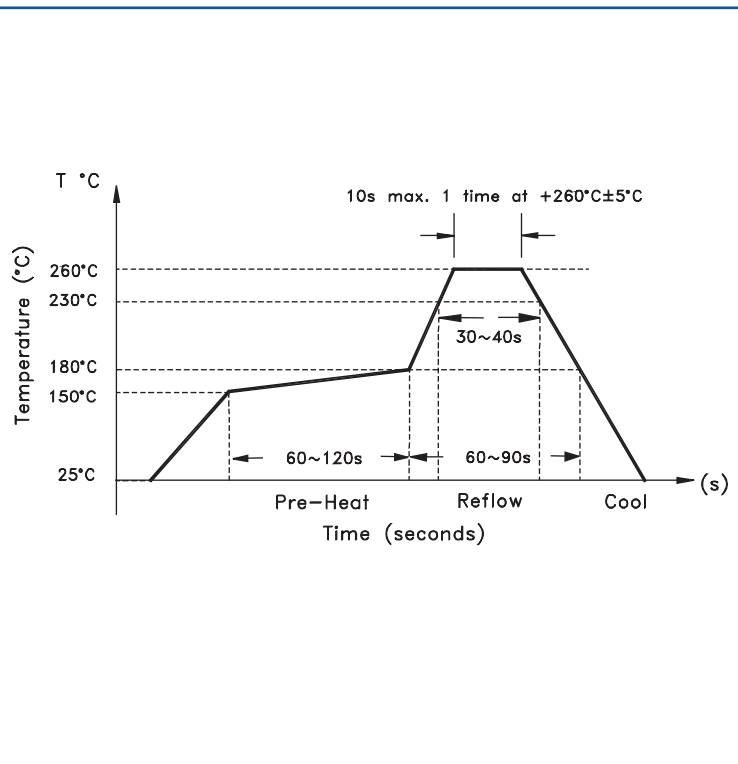


## TAPE & REEL:

Tape and reel (1,000pcs/reel)  
Tape and reel (3,000pcs/reel)



## REFLOW PROFILE:



Need a test socket for the ABM8G Series? To view compatible **PRECISION TEST & BURN-IN SOCKETS** for these parts, [click here](#).

**ATTENTION:** Abracon Corporation's products are COTS – Commercial-Off-The-Shelf products; suitable for Commercial, Industrial and, where designated, Automotive Applications. Abracon's products are not specifically designed for Military, Aviation, Aerospace, Life-dependant Medical applications or any application requiring high reliability where component failure could result in loss of life and/or property. For applications requiring high reliability and/or presenting an extreme operating environment, written consent and authorization from Abracon Corporation is required. Please contact Abracon Corporation for more information.

ABRACON IS  
ISO 9001 : 2008  
CERTIFIED

**ABRACON**  
The Power of Linking Together

2 Faraday, Suite# B | Irvine | CA 92618 **Revised: 08.13.15**  
Ph. 949.546.8000 | Fax. 949.546.8001  
Visit [www.abracon.com](http://www.abracon.com) for Terms and Conditions of Sale

# Mouser Electronics

Authorized Distributor

Click to View Pricing, Inventory, Delivery & Lifecycle Information:

## ABRACON:

[ABM8G-12.000MHZ-18-D2Y-T](#) [ABM8G-12.000MHZ-B4Y-T](#) [ABM8G-12.288MHZ-18-D2Y-T](#) [ABM8G-12.288MHZ-B4Y-T](#) [ABM8G-13.000MHZ-18-D2Y-T](#) [ABM8G-13.000MHZ-B4Y-T](#) [ABM8G-13.560MHZ-18-D2Y-T](#) [ABM8G-13.560MHZ-B4Y-T](#) [ABM8G-14.31818MHZ-18-D2Y-T](#) [ABM8G-14.31818MHZ-B4Y-T](#) [ABM8G-14.7456MHZ-18-D2Y-T](#) [ABM8G-14.7456MHZ-B4Y-T](#) [ABM8G-16.000MHZ-18-D2Y-T](#) [ABM8G-16.000MHZ-B4Y-T](#) [ABM8G-16.384MHZ-18-D2Y-T](#) [ABM8G-16.384MHZ-B4Y-T](#) [ABM8G-18.432MHZ-B4Y-T](#) [ABM8G-19.6608MHZ-18-D2Y-T](#) [ABM8G-19.6608MHZ-B4Y-T](#) [ABM8G-20.000MHZ-18-D2Y-T](#) [ABM8G-20.000MHZ-B4Y-T](#) [ABM8G-22.1184MHZ-18-D2Y-T](#) [ABM8G-22.1184MHZ-B4Y-T](#) [ABM8G-24.000MHZ-18-D2Y-T](#) [ABM8G-24.000MHZ-B4Y-T](#) [ABM8G-24.576MHZ-18-D2Y-T](#) [ABM8G-24.576MHZ-B4Y-T](#) [ABM8G-25.000MHZ-18-D2Y-T](#) [ABM8G-25.000MHZ-B4Y-T](#) [ABM8G-26.000MHZ-18-D2Y-T](#) [ABM8G-26.000MHZ-B4Y-T](#) [ABM8G-27.000MHZ-18-D2Y-T](#) [ABM8G-27.000MHZ-B4Y-T](#) [ABM8G-28.63636MHZ-18-D2Y-T](#) [ABM8G-28.63636MHZ-B4Y-T](#) [ABM8G-30.000MHZ-18-D2Y-T](#) [ABM8G-30.000MHZ-B4Y-T](#) [ABM8G-32.000MHZ-B4Y-T](#) [ABM8G-33.000MHZ-18-D2Y-T](#) [ABM8G-33.000MHZ-B4Y-T](#) [ABM8G-40.000MHZ-18-D2Y-T](#) [ABM8G-40.000MHZ-B4Y-T](#) [ABM8G-48.000MHZ-18-D2Y-T](#) [ABM8G-48.000MHZ-B4Y-T](#) [ABM8G-12.000MHZ-18-D2Y-T3](#) [ABM8G-12.000MHZ-B4Y-T3](#) [ABM8G-12.288MHZ-18-D2Y-T3](#) [ABM8G-12.288MHZ-B4Y-T3](#) [ABM8G-13.560MHZ-18-D2Y-T3](#) [ABM8G-13.560MHZ-B4Y-T3](#) [ABM8G-14.7456MHZ-18-D2Y-T3](#) [ABM8G-16.000MHZ-18-D2Y-T3](#) [ABM8G-16.000MHZ-B4Y-T3](#) [ABM8G-16.384MHZ-18-D2Y-T3](#) [ABM8G-16.384MHZ-B4Y-T3](#) [ABM8G-18.432MHZ-B4Y-T3](#) [ABM8G-19.6608MHZ-18-D2Y-T3](#) [ABM8G-20.000MHZ-18-D2Y-T3](#) [ABM8G-22.1184MHZ-18-D2Y-T3](#) [ABM8G-24.000MHZ-18-D2Y-T3](#) [ABM8G-24.000MHZ-B4Y-T3](#) [ABM8G-24.576MHZ-18-D2Y-T3](#) [ABM8G-25.000MHZ-18-D2Y-T3](#) [ABM8G-25.000MHZ-B4Y-T3](#) [ABM8G-26.000MHZ-18-D2Y-T3](#) [ABM8G-27.000MHZ-18-D2Y-T3](#) [ABM8G-30.000MHZ-18-D2Y-T3](#) [ABM8G-33.000MHZ-18-D2Y-T3](#) [ABM8G-33.000MHZ-B4Y-T3](#) [ABM8G-40.000MHZ-18-D2Y-T3](#) [ABM8G-40.000MHZ-B4Y-T3](#) [ABM8G-48.000MHZ-18-D2Y-T3](#) [ABM8G-48.000MHZ-B4Y-T3](#) [ABM8G-20.000MHZ-4Y-T3](#) [ABM8G-25.000MHZ-4Y-T3](#) [ABM8G-24.000MHZ-4Y-T3](#) [ABM8G-13.560MHZ-4Y-T3](#) [ABM8G-12.288MHZ-4Y-T3](#) [ABM8G-18.432MHZ-4Y-T3](#) [ABM8G-40.000MHZ-4Y-T3](#) [ABM8G-24.576MHZ-4Y-T3](#) [ABM8G-30.000MHZ-4Y-T3](#) [ABM8G-48.000MHZ-4Y-T3](#) [ABM8G-27.000MHZ-4Y-T3](#) [ABM8G-33.000MHZ-4Y-T3](#) [ABM8G-16.000MHZ-4Y-T3](#) [ABM8G-13.000MHZ-4Y-T3](#) [ABM8G-22.1184MHZ-4Y-T3](#) [ABM8G-26.000MHZ-4Y-T3](#) [ABM8G-14.31818MHZ-4Y-T3](#) [ABM8G-14.7456MHZ-4Y-T3](#) [ABM8G-16.384MHZ-4Y-T3](#) [ABM8G-12.000MHZ-4Y-T3](#) [ABM8G-18.432MHZ-18-D2Y-T](#) [ABM8G-106-12.000MHZ-T](#) [ABM8G-28.63636MHZ-4Y-T3](#) [ABM8G-14.31818MHZ-D2Y-T](#) [ABM8G-16.000MHZ-8-D2Y-T](#) [ABM8G-24.000MHZ-4Y-T](#) [ABM8G-27.120MHZ-10-D1-T](#)