

Connector

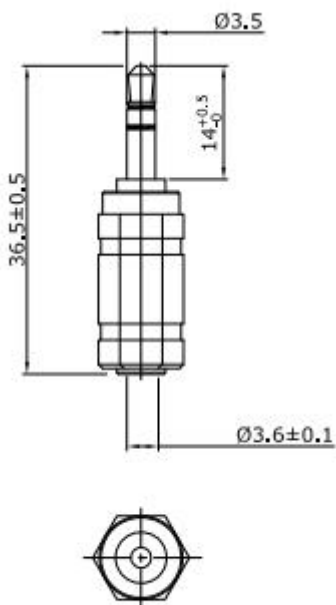


Specification:

Part Number: PSG08563
Description: 3.5mm Jack Adaptor, Mono To Stereo
Connector A: Mono Socket- 3.5mm
Connector B: Stereo Plug - 3.5mm
Body Material: Zinc Alloy, PE Black
Plating: Nickle Plated

Standards:

RoHS compliant



WIRING DIAGRAM

3.5MM STEREO
MALE



3.5MM MONO
FEMALE