

KP-110-s STROBE & BEACON

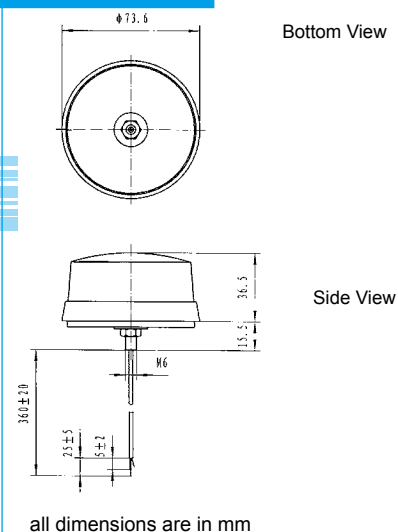
Model No	KP-110-s
Rated Voltage	12DC
Operating Voltage	8~15VDC
Max.Rated Current	150mA/12VDC
Rated Falsh	1-2HZ
Installation	Single Post
Operating Life	200Hours at 12VDC
Operating Temp	-20 ~ +60
Weight	85g

* Value applying at rated voltage



Acrylic Lens
Black ABS Black
Amber,Blue or Yellow available

DIMENSIONS



KP-110 STROBE & BEACON

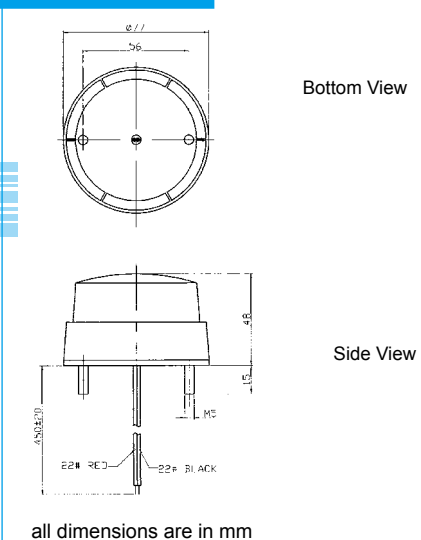
Model No	KP-110
Rated Voltage	12DC
Operating Voltage	8 ~ 15VDC
Max.Rated Current	150mA/12VDC
Rated Falsh	1-2HZ
Installation	Two Post
Operating Life	200Hours at 12VDC
Operating Temp	-20 ~ +60
Weight	90±5g

* Value applying at rated voltage



Acrylic Lens
Black ABS Black
Amber,Blue or Yellow available

DIMENSIONS



KP-111 STROBE & BEACON

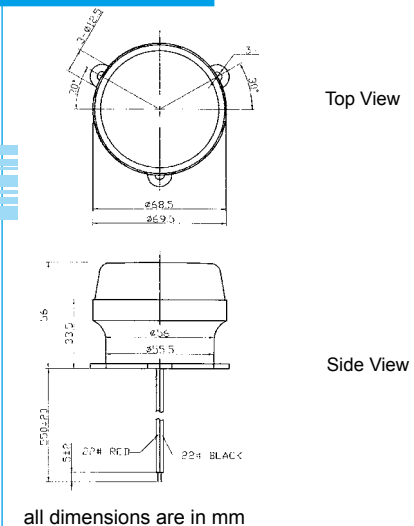
Model No	KP-111
Rated Voltage	12DC
Operating Voltage	8 ~ 15VDC
Max.Rated Current	150mA/12VDC
Rated Falsh	1-2HZ
Installation	Tab Mounted
Operating Life	500Hours at 12VDC
Operating Temp	-20 ~ +60
Weight	90±5g

* Value applying at rated voltage



Acrylic Lens
Black ABS Black
Amber,Blue or Yellow available

DIMENSIONS



The information contained herein is believed to be correct, but no guarantee for accuracy, completeness KEPO Electronics Ltd. reserves the right to make changes without notification.