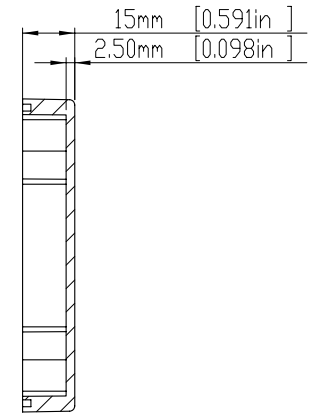
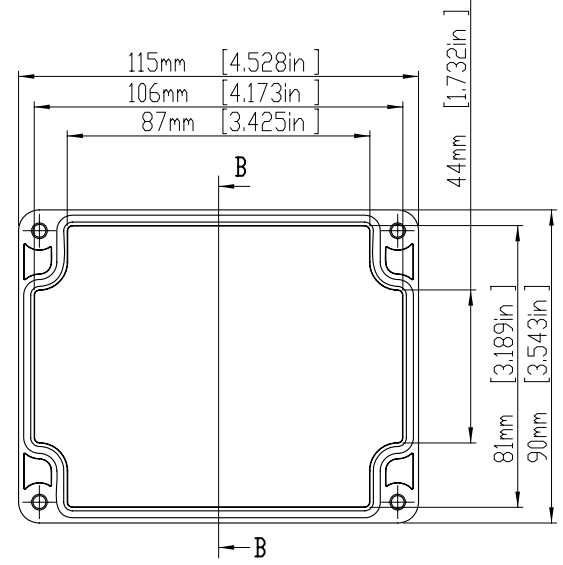
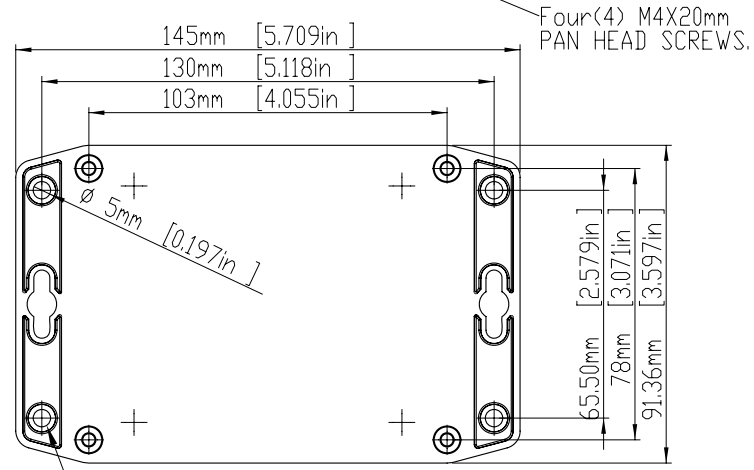


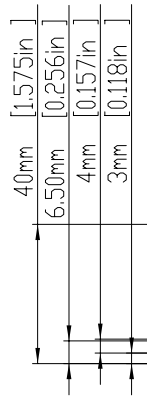
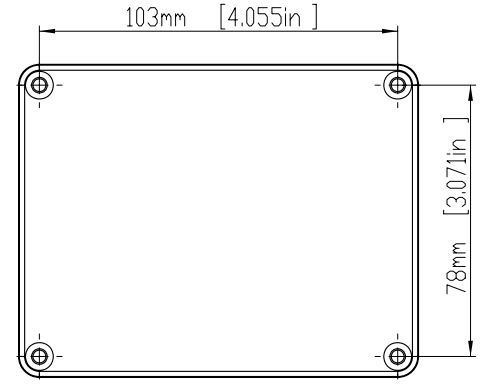
HOLES(4) ARE DESIGNED FOR SELF-TAPPING SCREWS USE.



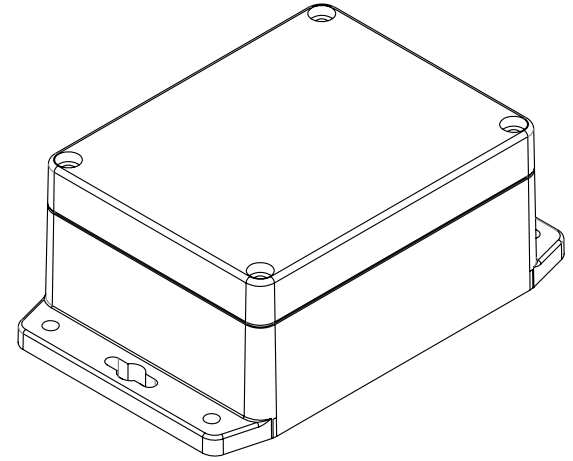
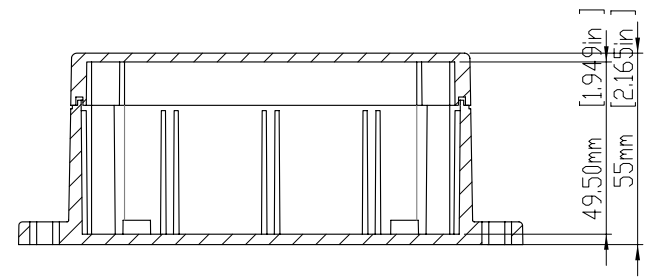
SECTION B-B
SCALE 2 : 3



HOLES(4) ARE DESIGNED FOR M4 PAN HEAD MACHINE SCREWS USE.



SECTION A-A
SCALE 2 : 3



TOLERANCES: ± 0.30 mm (± 0.012 in)

宜又實業有限公司 GAINTA INDUSTRIES LTD.	繪圖	DRA'D BY	日期	DATE	材質	MATE.	圖名TITLE:	圖號DWG NO:	版次REVISID:
		JACKY	2010/11/8		PC ; ABS		G212MF ; G311FW		A