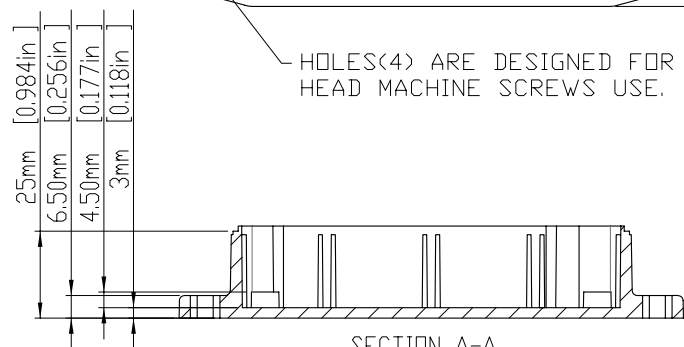
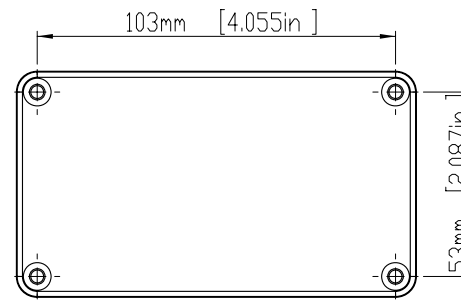
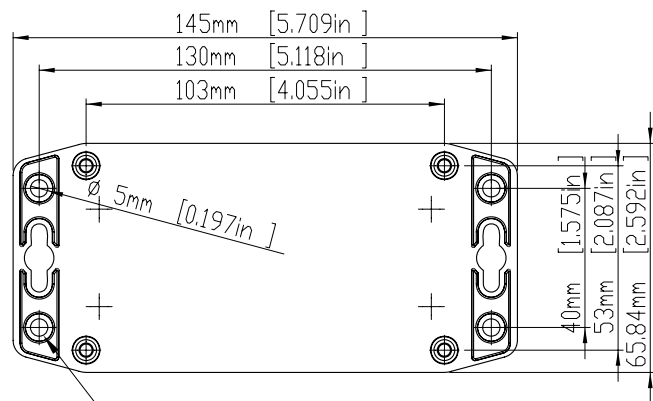
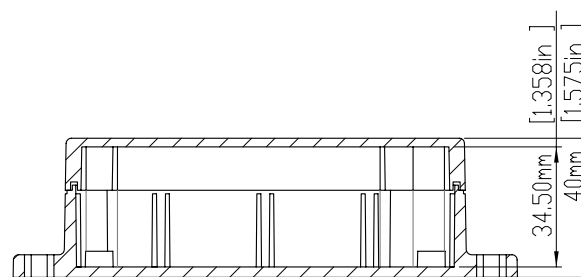


SECTION B-B
SCALE 2 : 3



SECTION A-A
SCALE 2 : 3



TOLERANCES: +/- 0.30 mm (+/- 0.012in)

