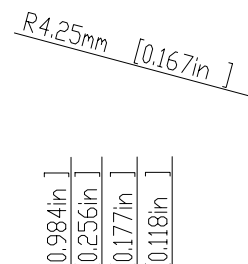
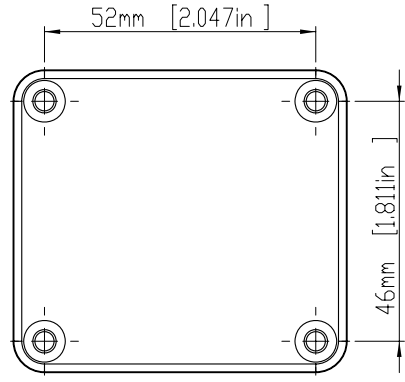
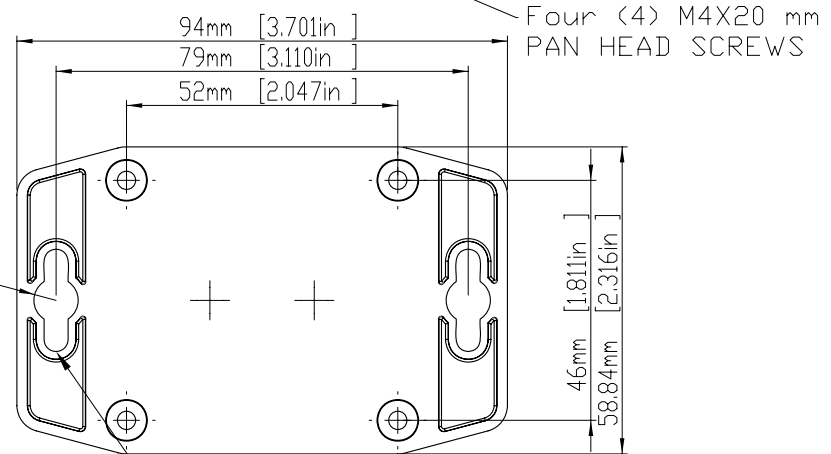
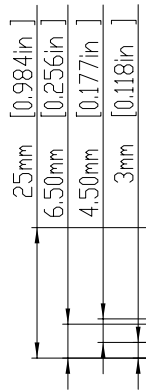


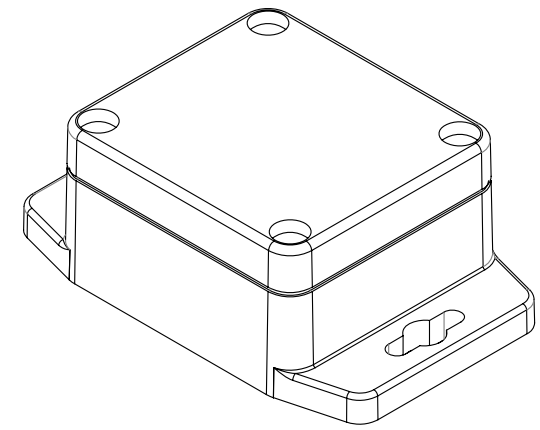
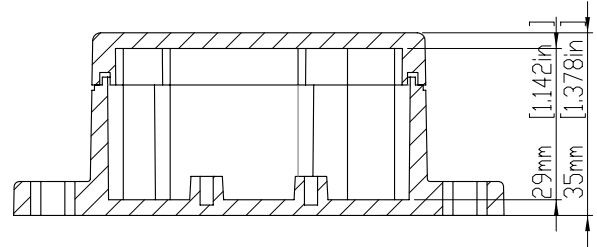
SECTION B-B
SCALE 1 : 1



HOLES(2) ARE DESIGNED FOR M4 PAN HEAD MACHINE SCREWS USE.



SECTION A-A
SCALE 1 : 1



TOLERANCES: +/- 0.30 mm (+/- 0.012in)

宜又實業有限公司 GAINTA INDUSTRIES LTD.	繪圖	DRA'D BY	日期	DATE	材質	MATE.	圖名TITLE:	圖號DWG NO:	版次REVISID:
		JACKY		2010/11/5		PC ; ABS	G201MF ; G302MF		A