



Smart Technology. Delivered.

3/4" 90 Degree Angle, Mirror Mount L-Bracket

LBM9034 - LBMB9034



3/4", MOBILE MOUNT BRACKETS, 90 DEGREE ANGLE, MIRROR L-BRACKETS

Laird aluminum mirror mount brackets are extruded and not stamped. This results in a stronger more durable bracket without the risk of bend fatigue and cracking that may occur with inferior stamped aluminum products. Laird aluminum mirror mounts are bright or black anodized for corrosion protection.

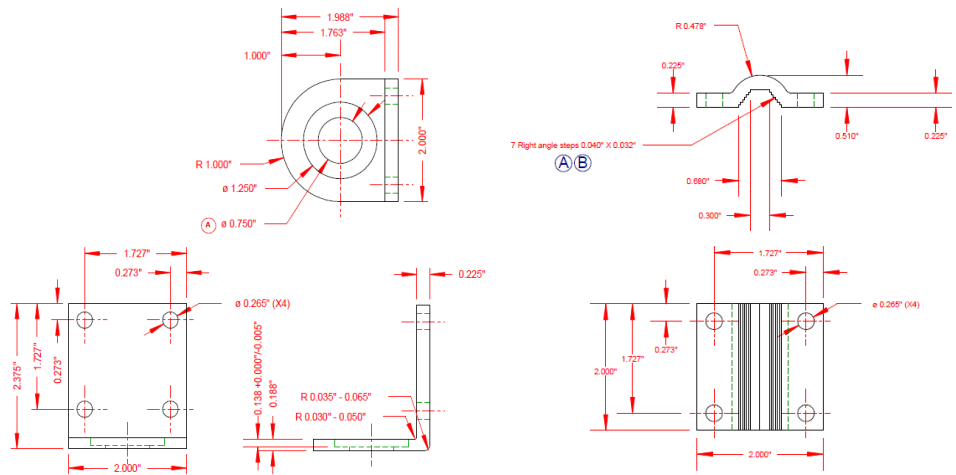
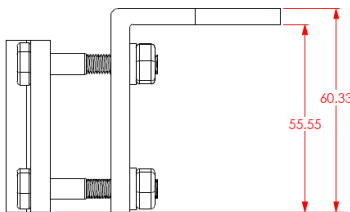
FEATURES

- Bright or black anodized corrosion protection.
- Brackets are extruded not stamped providing high durability.

MARKETS

- Land Mobile Radio
- Public Safety, Commercial & Industrial

| SPECIFICATIONS | |
|-----------------------|--------------------|
| Hole Size | 3/4" |
| Finish | Bright or Black |
| Dimensions | 90 degree angle |
| Type | Mirror L-bracket |
| Depth | 1.9" |
| Width | 2" |
| Height | 0.4 lb |
| Weight | 13 x 14.7 x .25 cm |
| Manufacturing Process | Extrusion |



Americas: +1.847 839.6925
IAS-AmericasEastSales@lairdtech.com

Europe: +44.1628.858941
IAS-EUSales@lairdtech.com

Asia: IAS-AsiaSales@lairdtech.com

www.lairdtech.com

ANT-DS-LBM9034 - LBMB9034_0716

Any information furnished by Laird Inc. and its agents is believed to be accurate and reliable. All specifications are subject to change without notice. Responsibility for the use and application of Laird materials rests with the end user, since Laird and its agents cannot be aware of all potential uses. Laird makes no warranties as to the fitness, merchantability or suitability of any Laird materials or products for any specific or general uses. Laird shall not be liable for incidental or consequential damages of any kind. All Laird products are sold pursuant to the Laird Terms and Conditions of sale in effect from time to time, a copy of which will be furnished upon request. © Copyright 2016 Laird Inc. All Rights Reserved. Laird, Laird Technologies, the Laird Logo, and other marks are trademarks or registered trademarks of Laird Inc. or an affiliate company thereof. Other product or service names may be the property of third parties. Nothing herein provides a license under any Laird or any third party intellectual property rights.

Mouser Electronics

Authorized Distributor

Click to View Pricing, Inventory, Delivery & Lifecycle Information:

[TE Connectivity:](#)

[LBM9034](#)