

4

3

2

1

THIS DRAWING IS UNPUBLISHED.

RELEASED FOR PUBLICATION

.-.

LOC J

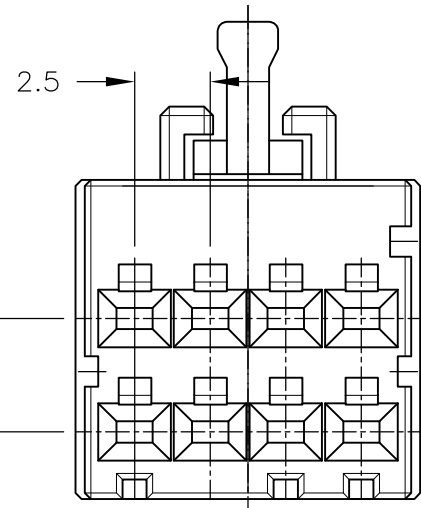
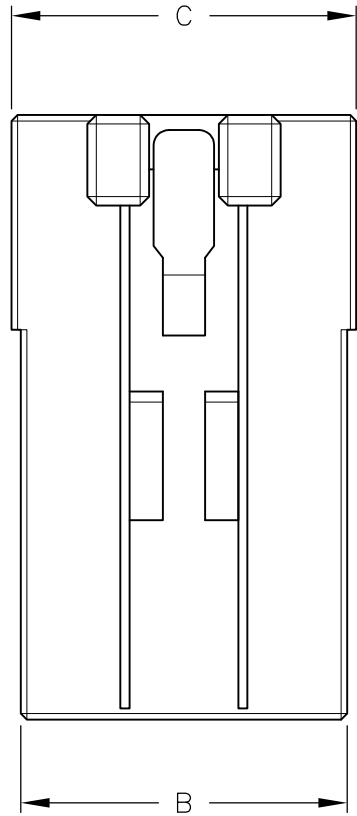
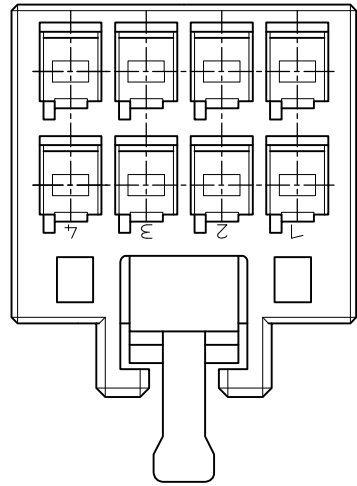
DIST -

REVISIONS

© COPYRIGHT 2011 APR BY Tyco Electronics Japan G.K.

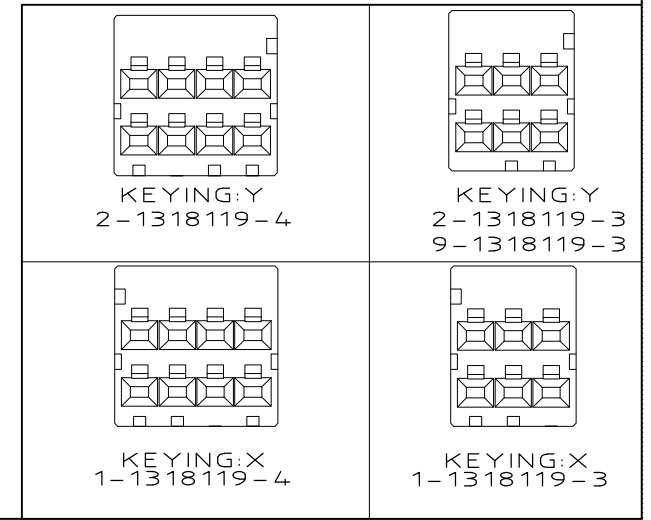
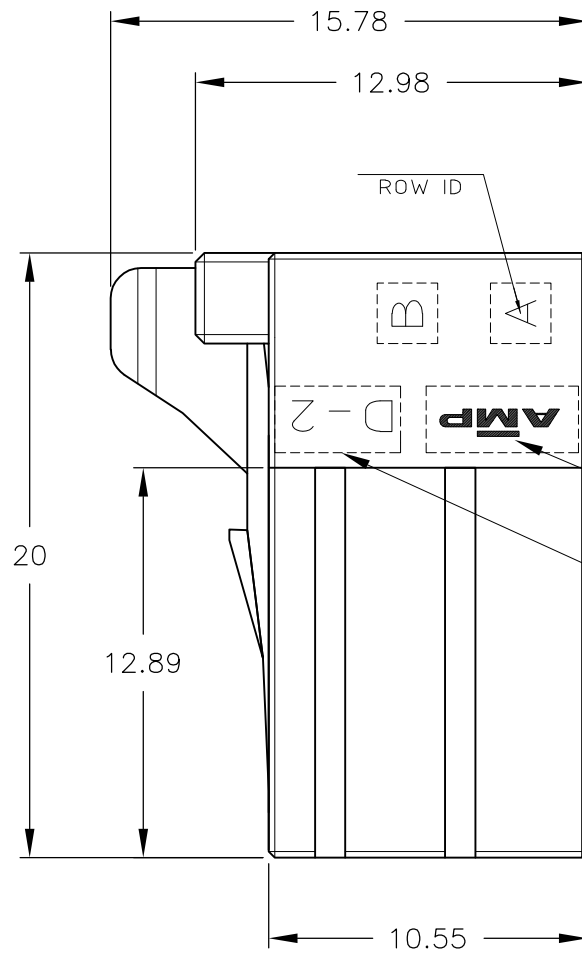
ALL RIGHTS RESERVED.

| P | LTR | DESCRIPTION | DATE      | DWN | APVD |
|---|-----|-------------|-----------|-----|------|
|   | C   | REVISED     | 25 APR 11 | MM  | NY   |



NOTES

- 1 MATERIAL: HOUSING: GLASS FILLED THERMO PLASTIC, POLYESTER(94V-0), COLOR: 1-1/2- : BLACK, : 9- : NATURAL
- 2 TO COAT ALL SURFACE OF HOUSING WITH TEFLON



|          |                 |                 |                |              |              |                            |
|----------|-----------------|-----------------|----------------|--------------|--------------|----------------------------|
| OBSOLETE | <del>11.4</del> | <del>10.8</del> | <del>7.5</del> | <del>3</del> | <del>8</del> | <del>5-1318119-4</del>     |
|          | 11.4            | 10.8            | 7.5            | 3            | 8            | 2-1318119-4                |
|          | 11.4            | 10.8            | 7.5            | 3            | 8            | 1-1318119-4                |
| OBSOLETE | <del>8.9</del>  | <del>8.3</del>  | <del>5</del>   | <del>2</del> | <del>6</del> | <del>5-1318119-3</del>     |
|          | 8.9             | 8.3             | 5              | 2            | 6            | 9-1318119-3<br>2-1318119-3 |
|          | 8.9             | 8.3             | 5              | 2            | 6            | 1-1318119-3                |
| FINISH   | C               | B               | A              | N            | POS          | PART NUMBER                |

THIS DRAWING IS A CONTROLLED DOCUMENT FOR AMP INCORPORATED. IT IS SUBJECT TO CHANGE AND THE CONTROLLING ENGINEERING ORGANIZATION SHOULD BE CONTACTED FOR THE LATEST REVISION.

DIMENSIONS: mm

TOLERANCES UNLESS OTHERWISE SPECIFIED:  
 10: ±0.3  
 30: >10 : ±0.35  
 100: >30 : ±0.4  
 ANGLE: ±3'

MATERIAL:

FINISH:

APPROVALS:  
 DWN: K. IKEDA 7/DEC/98  
 CHK: N. MATSUBARA 7/DEC/98  
 APVD: I. HASEGAWA 7/DEC/98

PRODUCT SPEC: 108-5619  
 APPLICATION SPEC: 114-5258  
 WEIGHT: T1

CUSTOMER DRAWING

STE TE Connectivity

DOUBLE ROW REC HSG <DYNAMIC D-2100D>

SIZE: A3 CAGE CODE: 00779 DRAWING NO: C-1318119 RESTRICTED TO: -  
 SCALE: 4-1 SHEET: 1 OF 1 REV: C

KEY LOCATION VIEW 2-1318119-4 (KEYING Y)