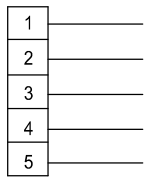
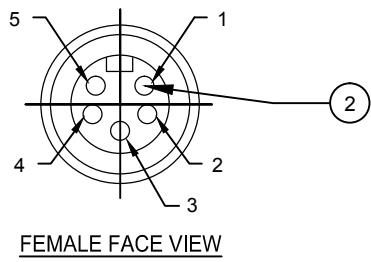
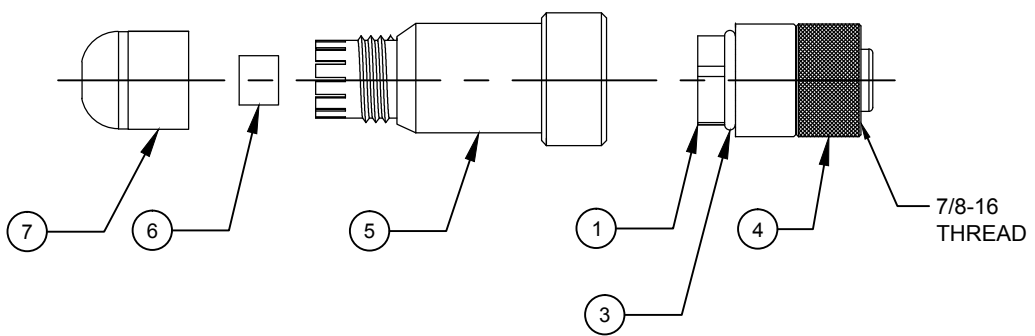
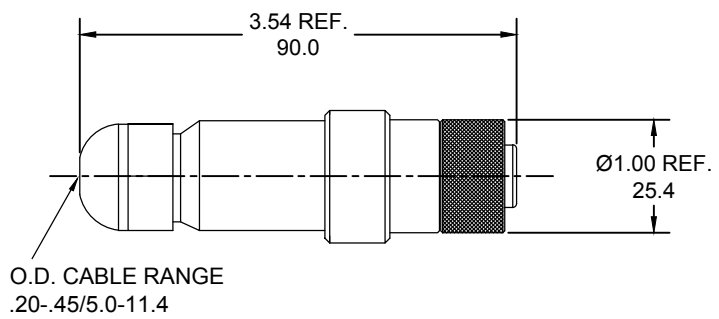
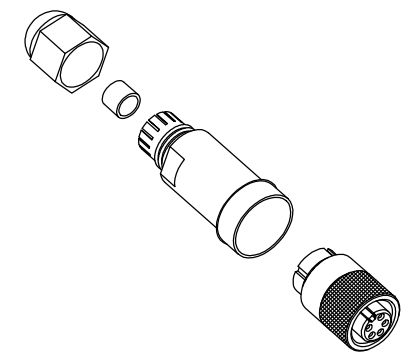


MATERIAL NUMBER	OLD PART NUMBER	COUPLING NUT MATERIAL	COUPLING NUT FINISH
1300170023	1A5000-34	BRASS	NICKEL PLATED
1300170024	1A5000-348	STAINLESS STEEL	PASSIVATED



VOLTAGE RATING	600VAC/VDC
AMPERAGE RATING	8 AMPS
PROTECTION	IP67
OPERATING TEMPERATURE	-20°C TO 80°C
CSA CERTIFICATIONS	CSA CERTIFIED, FILE NO. LR6837

ITEM	COMPONENT	MATERIAL	FINISH
1	INSERT	NYLON	BLACK
2	CONTACTS	COPPER ALLOY	GOLD PLATED
3	O-RING	NITRILE	BLACK
4	COUPLING NUT	SEE CHART	SEE CHART
5	MOLDED BODY	NYLON	BLACK
6	GROMMET	NITRILE	BLACK
7	CORD GRIP BODY	NYLON	BLACK

REDRAWN: OD RANGE WAS .02-.48
 EC NO: IFC2013-1684
 DRWN: RSTONE 2013/05/09
 CHKD: BW
 APPR: BWOODMAN

QUALITY SYMBOLS
 ▽=0
 ▽=0

GENERAL TOLERANCES (UNLESS SPECIFIED)
 DIMENSION STYLE IN/MM
 SCALE --- INCH
 DESIGN UNITS INCH
 THIRD ANGLE PROJECTION
 DRAWN BY DATE RSTONE 2013/05/09
 CHECKED BY DATE BW 2013/05/14
 APPROVED BY DATE
 MATERIAL NO. SEE CHART
 DOCUMENT NO. SD-130017-001
 SHEET NO. 1 OF 1
 DRAFT WHERE APPLICABLE MUST REMAIN WITHIN DIMENSIONS
 THIS DRAWING CONTAINS INFORMATION THAT IS PROPRIETARY TO MOLEX INCORPORATED AND SHOULD NOT BE USED WITHOUT WRITTEN PERMISSION

TITLE MC FIELD ATTACHABLE 5P .20-.45 OD CABLE RANGE
 MOLEX MOLEX INCORPORATED
 SIZE A