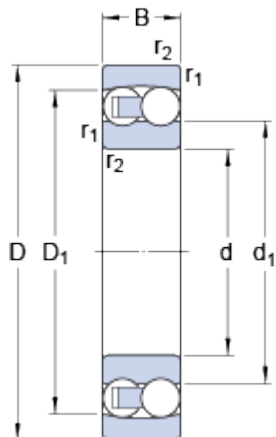


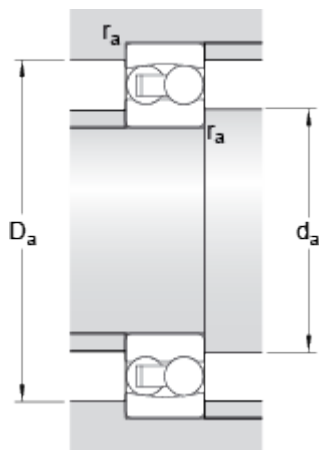
1202 ETN9

Dimensions



d		15	mm
D		35	mm
B		11	mm
d ₁	≈	21.15	mm
D ₁	≈	28.9	mm
r _{1,2}	min.	0.6	mm

Abutment dimensions



d _a	min.	19.2	mm
D _a	max.	30.8	mm
r _a	max.	0.6	mm

Calculation data

Basic dynamic load rating	C	7.4	kN
Basic static load rating	C ₀	1.8	kN
Fatigue load limit	P _u	0.09	kN
Reference speed		45000	r/min
Limiting speed		28000	r/min
Calculation factor	k _r	0.04	
Calculation factor	e	0.33	
Calculation factor	Y ₀	2	
Calculation factor	Y ₁	1.9	
Calculation factor	Y ₂	3	

Mass

Mass bearing		0.049	kg
--------------	--	-------	----

