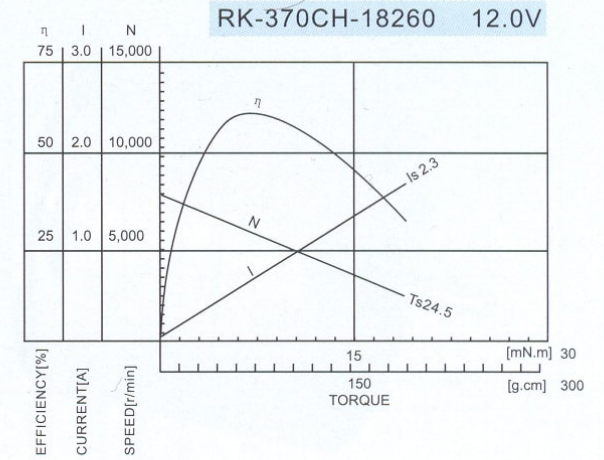


WEIGHT:51g(APPROX)



RK-370CH

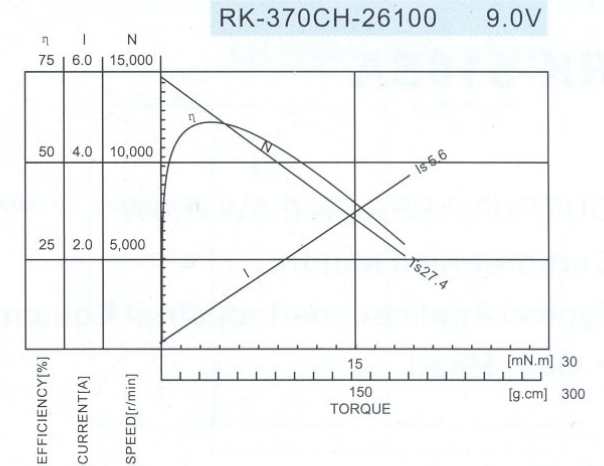
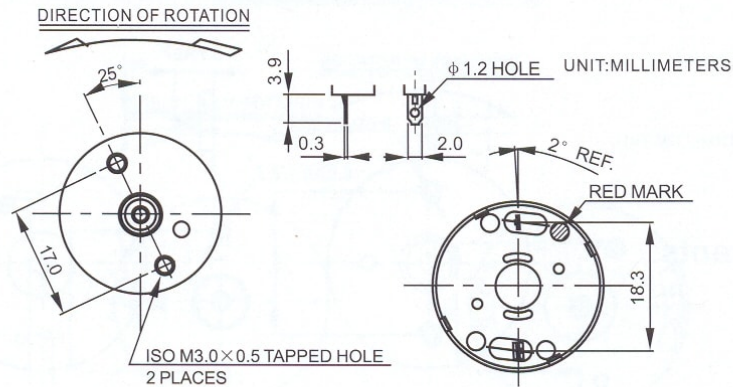
OUTPUT: APPROX 0.5W-20W

Carbon-brush Motors

Typical Applications/

Office Automation Equipments:

- Printer
- Copy Machine



MODEL	VOLTAGE		NO LOAD		AT MAXIMUM EFFICIENCY				STARTING			
	OPERATING RANGE	NOMINAL	SPEED	CURRENT	SPEED	CURRENT	TORQUE		OUTPUT	TORQUE		CURRENT
			r/min	A	r/min	A	mN.m	g.cm	W	mN.m	g.cm	A
RK-370CH-18260	6~15	12.0V	7900	0.07	5100	0.55	7.35	75.0	3.92	24.5	250	2.30
RK-370CH-26100	3~12	9.0V	15000	0.16	13000	0.75	2.94	30.0	4.00	27.4	280	5.60
RK-370CH-10800	12~30	24.0V	5100	0.020	4310	0.09	2.57	26.3	1.16	16.6	170	0.45