

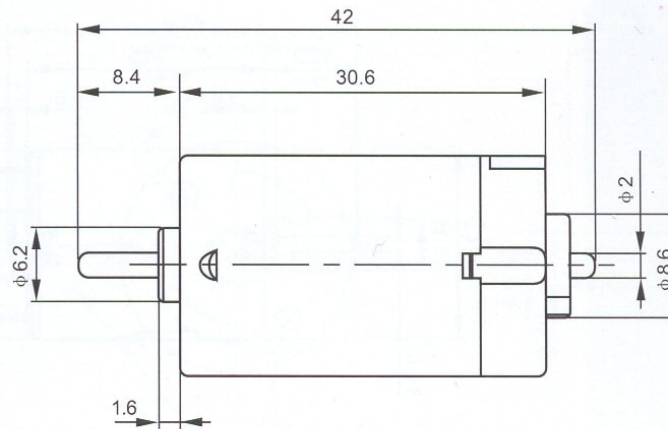
FC-280PT/SD

OUTPUT: APPROX 0.4W-20W

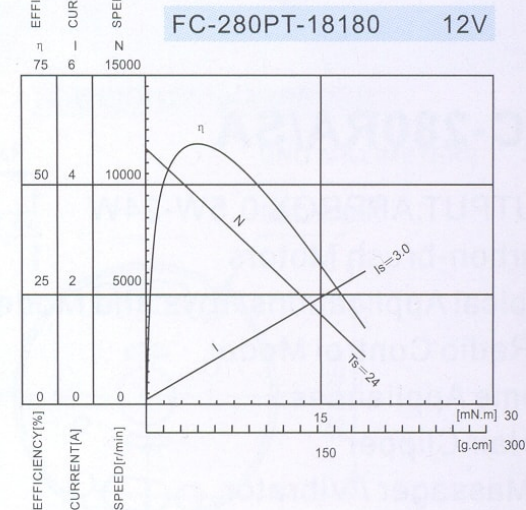
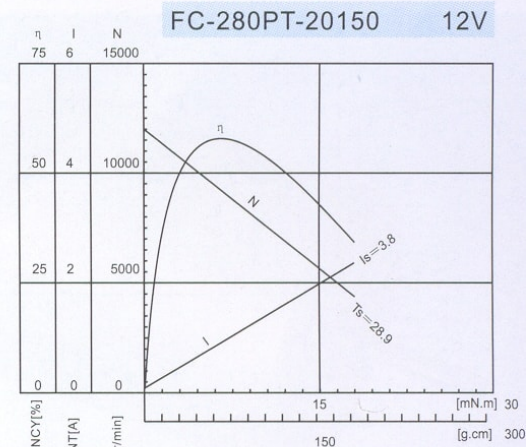
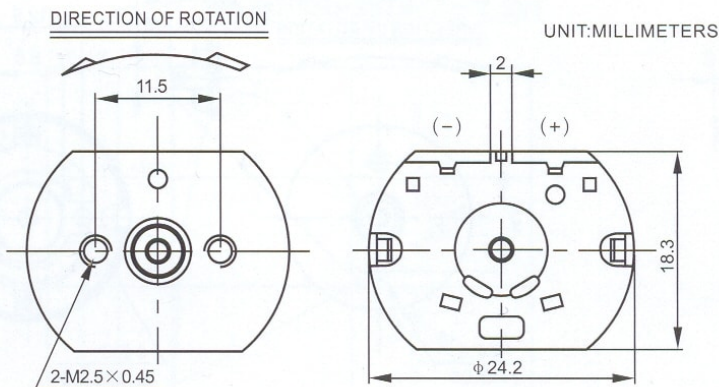
Carbon-brush Motors

Typical Applications/Automotive Products:

- Door Lock Actuator



WEIGHT: 35g (APPROX)



MODEL	VOLTAGE		NO LOAD		AT MAXIMUM EFFICIENCY				STARTING			
	OPERATING RANGE	NOMINAL V	SPEED r/min	CURRENT A	SPEED r/min	CURRENT A	TORQUE mN.m	TORQUE g.cm	OUTPUT W	TORQUE mN.m	TORQUE g.cm	CURRENT A
FC-280PT-20150	9~15	12	12000	0.11	10260	0.65	4.20	42.8	4.51	28.9	295	3.8
FC-280PT-18180	9~24	12	11400	0.075	9840	0.47	3.28	33.4	3.37	24.0	245	3.0