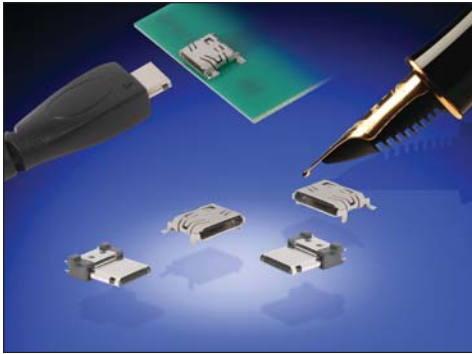


# Mini I/O, 12 Position

## XX-9257



AVX offers the 12 way mini I/O connector as a standard product. The fixed SMT socket is designed to be mounted on a PCB and housed within a portable device. The plug is designed for cable termination with options of single and double sided contacts. Parts can be supplied as connectors only for sub contract termination, or with a custom overmold cover. The socket connector houses 12 contacts in a single row on 0.50mm pitch.

### APPLICATIONS

- Medical Electronics
- Cellular Phones
- Industrial Modules
- Hand Held Devices

### FEATURES AND BENEFITS

- No latching required due to the click design of the contacts.
- Optional customization of the overmold cover.
- Compact size to optimize PCB real estate.
- Metal outer cover provides integrated PCB location and solder tab.
- Positive alignment and orientation of the plug and socket.

### ELECTRICAL

- Current Rating: 0.5 Amp / Contact
- Voltage Rating: 50 VAC

### ENVIRONMENTAL


- Operating Temperature: -55°C to +85°C

### MECHANICAL

- Insulator Material: High Temperature Plastic; UL94 V-O
- Contact Material: Phosphor Bronze (Plug)  
Copper Alloy (Socket)
- Plating: Gold over Nickel
- Durability: 5,000 Cycles

### HOW TO ORDER

#### Plug Options

<b>10</b>	<b>9257</b>	<b>012</b>	<b>101</b>	<b>006</b>	
Prefix	Series	No of Ways	Contact	Contact Plating Option	
10 = Plug		012 = 12 Way	001 = Solder Tail	006 = 0.25µm Gold over Nickel	

#### Socket Options

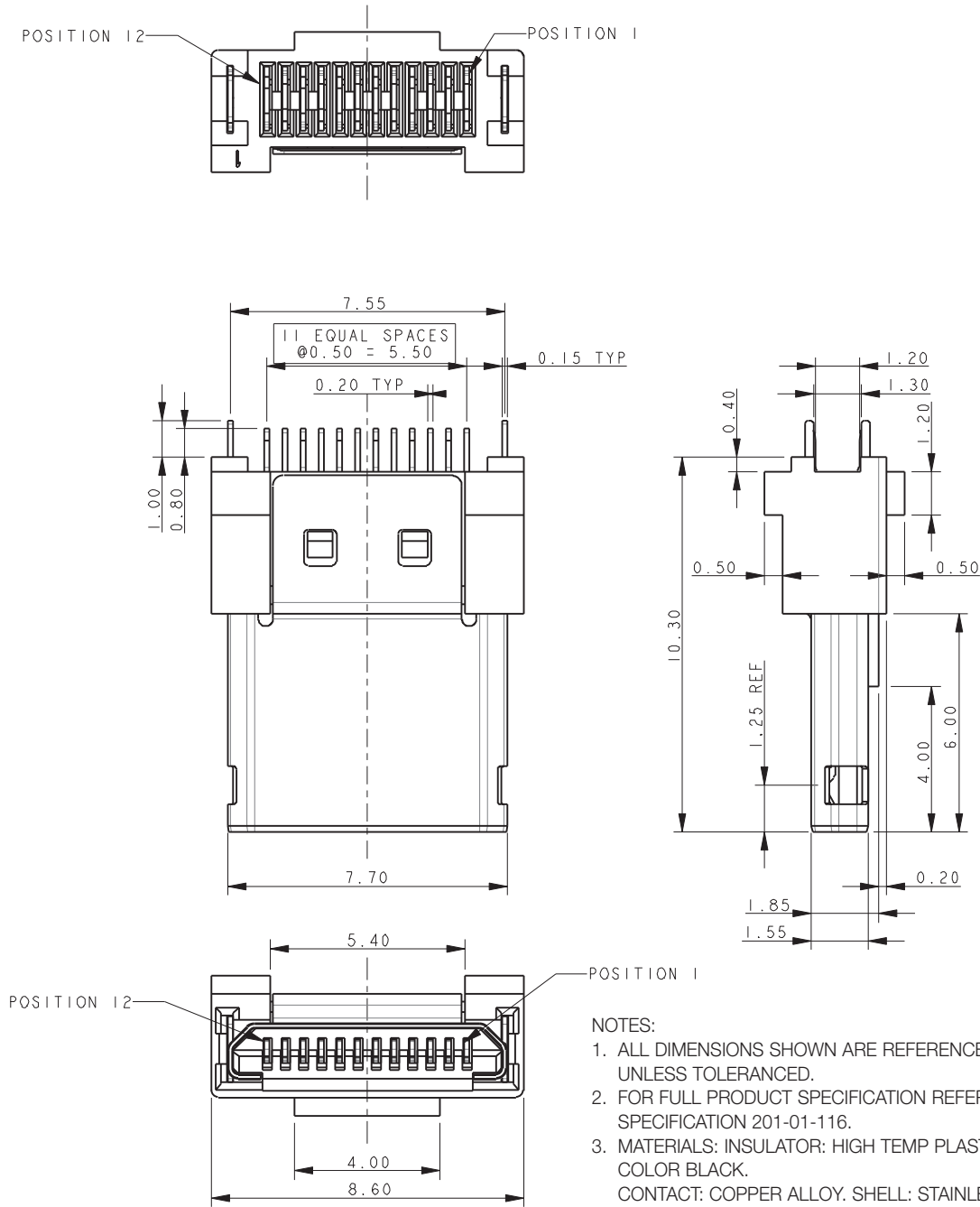
<b>20</b>	<b>9257</b>	<b>012</b>	<b>101</b>	<b>01</b>	<b>6</b>
Prefix	Series	No of Ways	Contact	Solder Bracket	Plating Option
20 = Socket		012 = 12 Way	101 = SMT Termination	01 = Solder Bracket with Location Pegs	3 = 0.25µm Gold over Nickel

Certification: UL File #E90723

# Mini I/O, 12 Position

XX-9257

## 9257 STANDARD 12 WAY MINI I/O PLUG



- NOTES:
1. ALL DIMENSIONS SHOWN ARE REFERENCE DIMENSIONS UNLESS TOLERANCED.
  2. FOR FULL PRODUCT SPECIFICATION REFER TO ELCO SPECIFICATION 201-01-116.
  3. MATERIALS: INSULATOR: HIGH TEMP PLASTIC, UL94 V-O, COLOR BLACK.  
CONTACT: COPPER ALLOY. SHELL: STAINLESS STEEL.
  4. PLATING: CONTACT: GOLD OVER NICKEL. SHELL: GOLD OVER NICKEL.
  5. PACKED IN TUBES, 60 PIECES PER TUBE.

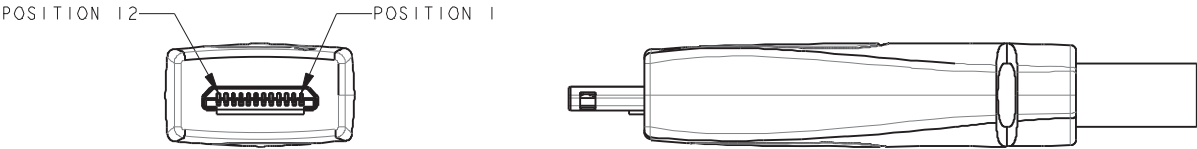
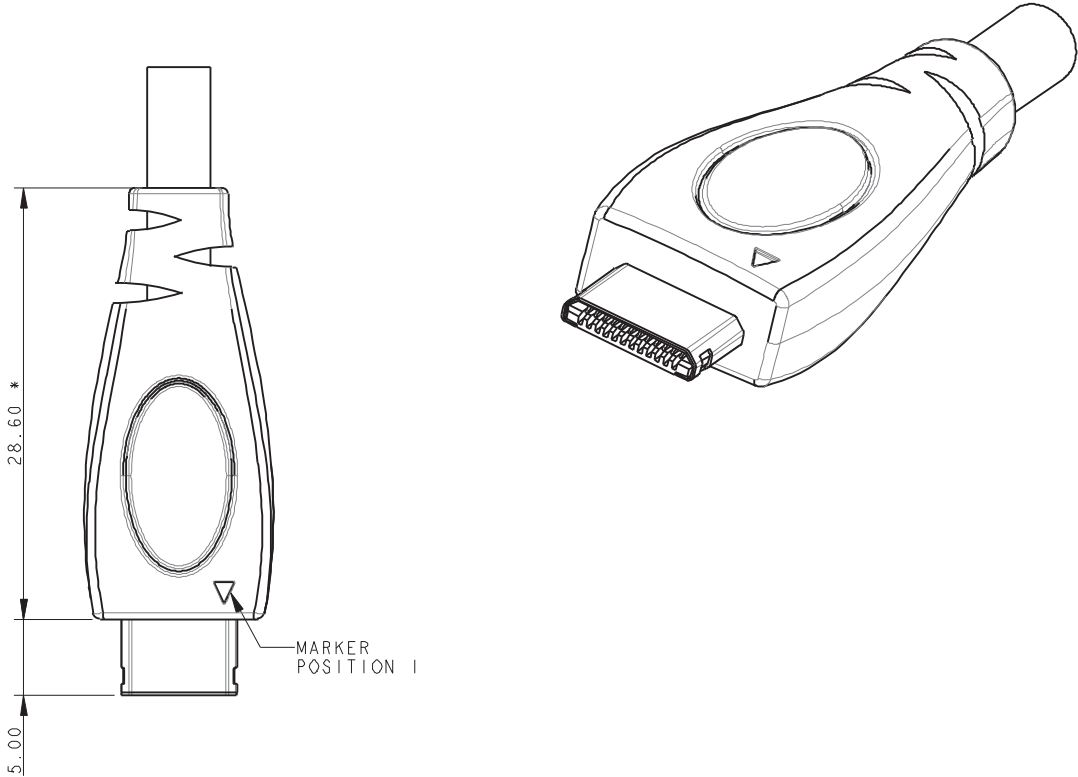
### PACKING DETAILS 60 PARTS PER TUBE



# Mini I/O, 12 Position

XX-9257

## SUGGESTED OVERMOULDING FOR PLUG CONNECTOR

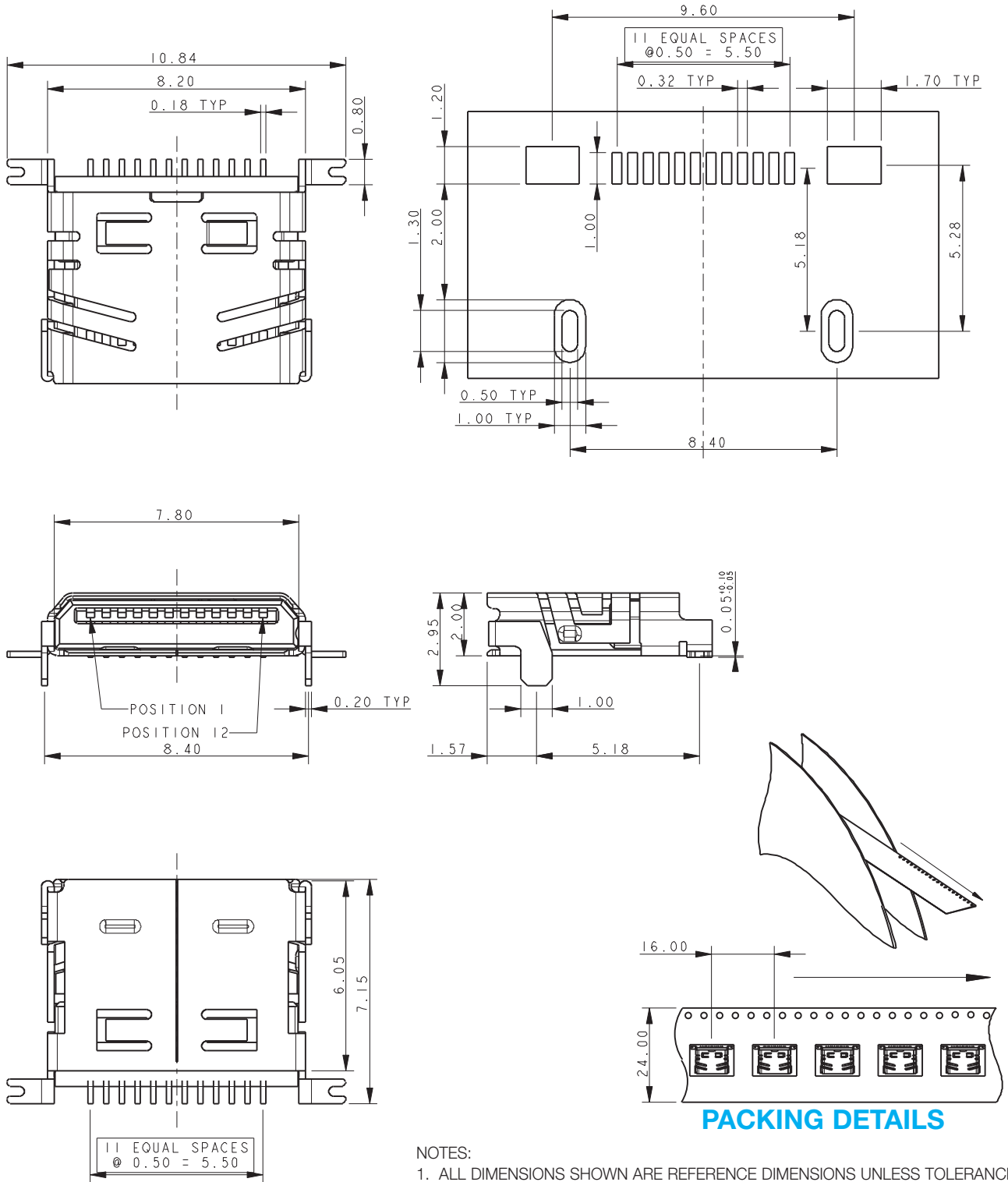


NOTES:  
DIMENSIONS MARKED WITH A \* ARE VARIABLE DIMENSIONS  
TO SUIT CUSTOMER DESIGN AND APPLICATION

# Mini I/O, 12 Position

XX-9257

## 9257 STANDARD 12 WAY MINI I/O SOCKET



**NOTES:**

1. ALL DIMENSIONS SHOWN ARE REFERENCE DIMENSIONS UNLESS TOLERANCED.
2. FOR FULL PRODUCT SPECIFICATION REFER TO ELCO SPECIFICATION 201-01-116.
3. MATERIALS: INSULATOR: HIGH TEMP PLASTIC, UL94 V-0, COLOR BLACK.  
CONTACT: COPPER ALLOY. SHELL: STAINLESS STEEL.
4. PLATING: CONTACT: GOLD OVER NICKEL. SHELL: GOLD OVER NICKEL.
5. PACKED IN TAPE AND REEL, 1200 PIECES PER REEL.

# Mouser Electronics

Authorized Distributor

Click to View Pricing, Inventory, Delivery & Lifecycle Information:

[Kyocera AVX:](#)

[209257012101016](#) [109257012101006](#)