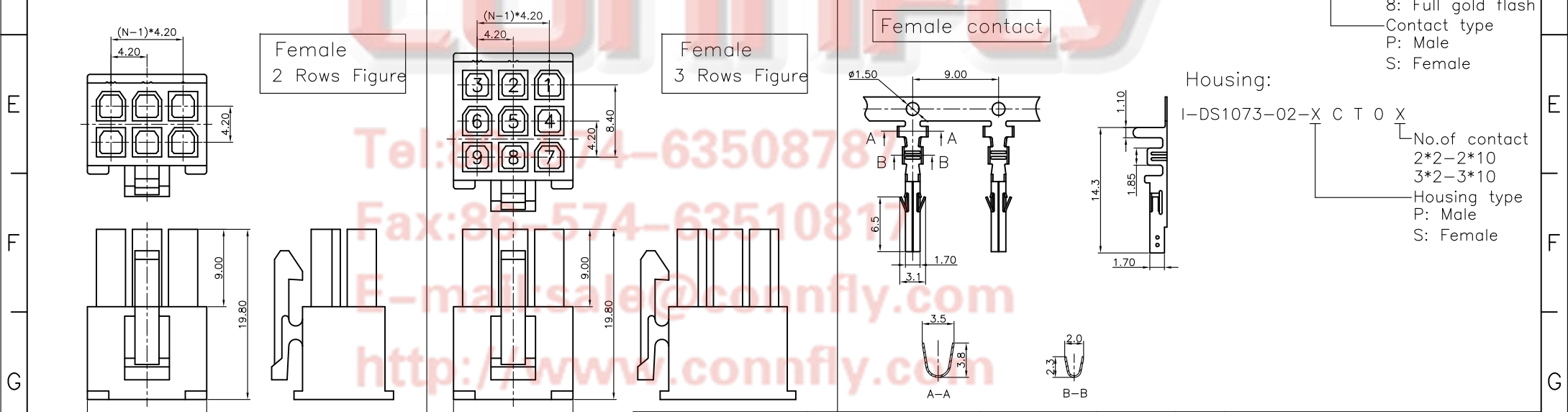
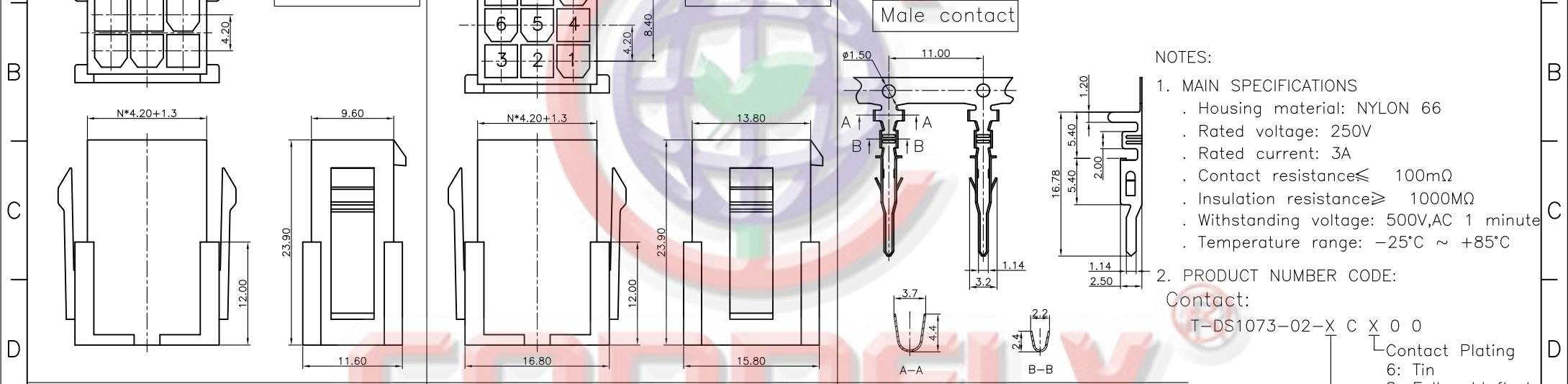


REV.	DESCRIPTION	DRAWN	CHECKED	APPROVED
A	NEW RELEASE	YCH 12/15/07'	~	LJC 12/15/07'
B	DRAWING UPDATE	JLZ 06/28/17'	~	



- NOTES:
- MAIN SPECIFICATIONS
 - Housing material: NYLON 66
 - Rated voltage: 250V
 - Rated current: 3A
 - Contact resistance $\leq 100m\Omega$
 - Insulation resistance $\geq 1000M\Omega$
 - Withstanding voltage: 500V, AC 1 minute
 - Temperature range: $-25^{\circ}C \sim +85^{\circ}C$
 - PRODUCT NUMBER CODE:

Contact:

T-DS1073-02-X C X 0 0

 - C: Contact Plating
 - 6: Tin
 - 8: Full gold flash
 - Contact type
 - P: Male
 - S: Female

Housing:

I-DS1073-02-X C T 0 X

 - No. of contact
 - 2*2-2*10
 - 3*2-3*10
 - Housing type
 - P: Male
 - S: Female

GENERAL TOLERANCE	ANGLE TOLERANCE	PROJECTION	TITLE	ATX CONNECTOR PITCH 4.2mm
X. ± 0.60	X. $\pm 5^{\circ}$	UNITS	mm	Crimp typr
.X ± 0.38	.X $\pm 3^{\circ}$	SHEET SIZE	A4	SERIES DS1073-02 SERIES
.XX ± 0.25	.XX $\pm 2^{\circ}$	DRAWING TYPE CUSTOMRE		
DRAWING NO. C-DS1073-02-XXXXX-B		SCALE 1:1 SHEET 1 OF 1		

晨翔电子有限公司
CONNFLY CONNFLY ELECTRONIC CO. LTD