

XMEP1K0PT130

pressure transmitter - XMEP - 1000psi -
1/4"18NPT - 0,5..4,5V - Deutsch - set 1



Main

| | |
|---------------------------|---|
| Range of product | OsiSense XM |
| Product or component type | Electronic pressure sensors |
| Pressure sensor type | Pressure transmitter |
| Pressure sensor name | XMEP |
| Electrical circuit type | Control circuit |
| Pressure sensor size | 1000 psi (6894.76 kPa) |
| Local display | Without |
| Controlled fluid | Fresh water 32...257 °F (0...125 °C) Air -40...257 °F (-40...125 °C) Hydraulic oil -40...257 °F (-40...125 °C)) |
| Fluid connection type | 1/4" - 18 NPT (male) |
| Electrical connection | DEUTSCH connector DT04-3P 3 pins |
| [Us] rated supply voltage | 5 V DC SELV 4.5...5.5 V) |
| Current consumption | < 7 mA |
| Type of output signal | Analogue |
| Analogue output function | 0.5...4.5 V, 3-wire |
| Quantity per set | Set of 1 |
| Type of packing | Individual |

Complementary

| | |
|---|---|
| Pressure setting range | 0...1000 psi (0.00...6894.76 kPa) |
| Maximum permissible accidental pressure | 2200 psi (15168.47 kPa) |
| Destruction pressure | 4400 psi (30336.93 kPa) |
| Materials in contact with fluid | Stainless steel AISI 316L |
| Operating position | Any position |
| Protection type | Reverse polarity Load short-circuit |
| Electromagnetic compatibility | Electrostatic discharge immunity test ISO 10605 criteria A 15 kV air, 15 kV contact Susceptibility to electromagnetic fields ISO 11452-2 criteria A 100 V/m 200...2000 MHz Susceptibility to electromagnetic fields ISO 11452-4 criteria A 100 mA 20...400 MHz Susceptibility to conducted disturbances EN/IEC 61000-4-6 criteria A 30 V 0.15...80 MHz Electrical fast transient/burst immunity test EN/IEC 61000-4-4 criteria A 4 kV Susceptibility to conducted transient disturbances ISO 7637-2 criteria B level 3 |
| [Uimp] rated impulse withstand voltage | 0.5 kV |
| Response time on output | <= 2 ms 10...90 % of full scale |
| Measurement accuracy | +/- 0.5 % of the measuring range |
| Resolution | 0.1 % of the measuring range |
| Drift of the sensitivity | +/- 0.02 % of measuring range/°K |
| Drift of the zero point | +/- 0.02 % of measuring range/°K |
| Long term stability | +/- 0.5 % of the measuring range |
| Mechanical durability | 10000000 cycles |
| Net weight | 0.22 lb(US) (0.098 kg) |
| Diameter | 1.02 in (26 mm) |
| Length | 2.50 in (63.4 mm) |

Environment

| | |
|---------------------------------------|--|
| Standards | UL 61010-1 EN/IEC 61326-2-3 ISO 14982 EN 13309 ISO 13766 ECE 10R-5 |
| Product certifications | E2 CULus CE |
| Ambient air temperature for operation | -40...212 °F (-40...100 °C) |
| Ambient air temperature for storage | -58...212 °F (-50...100 °C) |
| Vibration resistance | 12 gn sinus 20...520 Hz)test 4 ISO 16750-3 18 gn random 10...2000 Hz)test 4 ISO 16750-3 |
| Shock resistance | 50 gn 11 ms EN/IEC 60068-2-27 |
| IP degree of protection | IP65 EN/IEC 60529 IP67 conforming to EN/IEC 60529 IP69K EN/IEC 60529 |

Ordering and shipping details

| | |
|-----------------------|--|
| Category | 22419 - PRESSURE SWITCH IEC (HIGH,LOW,GEN) |
| Discount Schedule | DS2 |
| GTIN | 00785901914723 |
| Nbr. of units in pkg. | 1 |
| Package weight(Lbs) | 0.21 lb(US) (0.10 kg) |
| Returnability | No |
| Country of origin | CH |

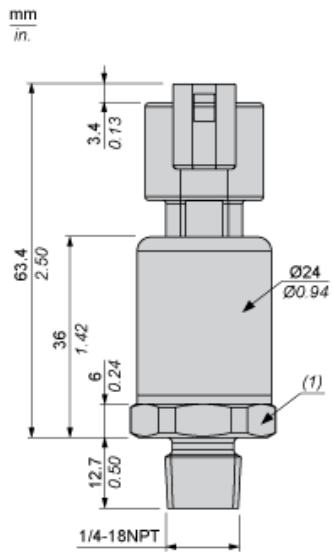
Packing Units

| | |
|------------------------|------------------|
| Unit Type of Package 1 | PCE |
| Package 1 Height | 1.61 in (4.1 cm) |
| Package 1 width | 1.77 in (4.5 cm) |
| Package 1 Length | 3.35 in (8.5 cm) |

Offer Sustainability

| | |
|----------------------------|---|
| Sustainable offer status | Green Premium product |
| California proposition 65 | WARNING: This product can expose you to chemicals including: Diisononyl phthalate (DINP), which is known to the State of California to cause cancer, and Di-isodecyl phthalate (DIDP), which is known to the State of California to cause birth defects or other reproductive harm. For more information go to www.P65Warnings.ca.gov |
| REACH Regulation | REACH Declaration |
| EU RoHS Directive | Pro-active compliance (Product out of EU RoHS legal scope) EU RoHS Declaration |
| Mercury free | Yes |
| RoHS exemption information | Yes |
| Environmental Disclosure | Product Environmental Profile |

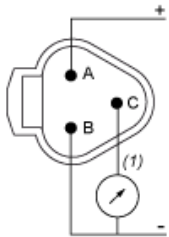
Dimensions



(1) SW24, tightening torque □ 24 N-m / 212 lb-in

Connections and Schema

Connector Wiring



(1) V out

Performance Curves

Curves

