

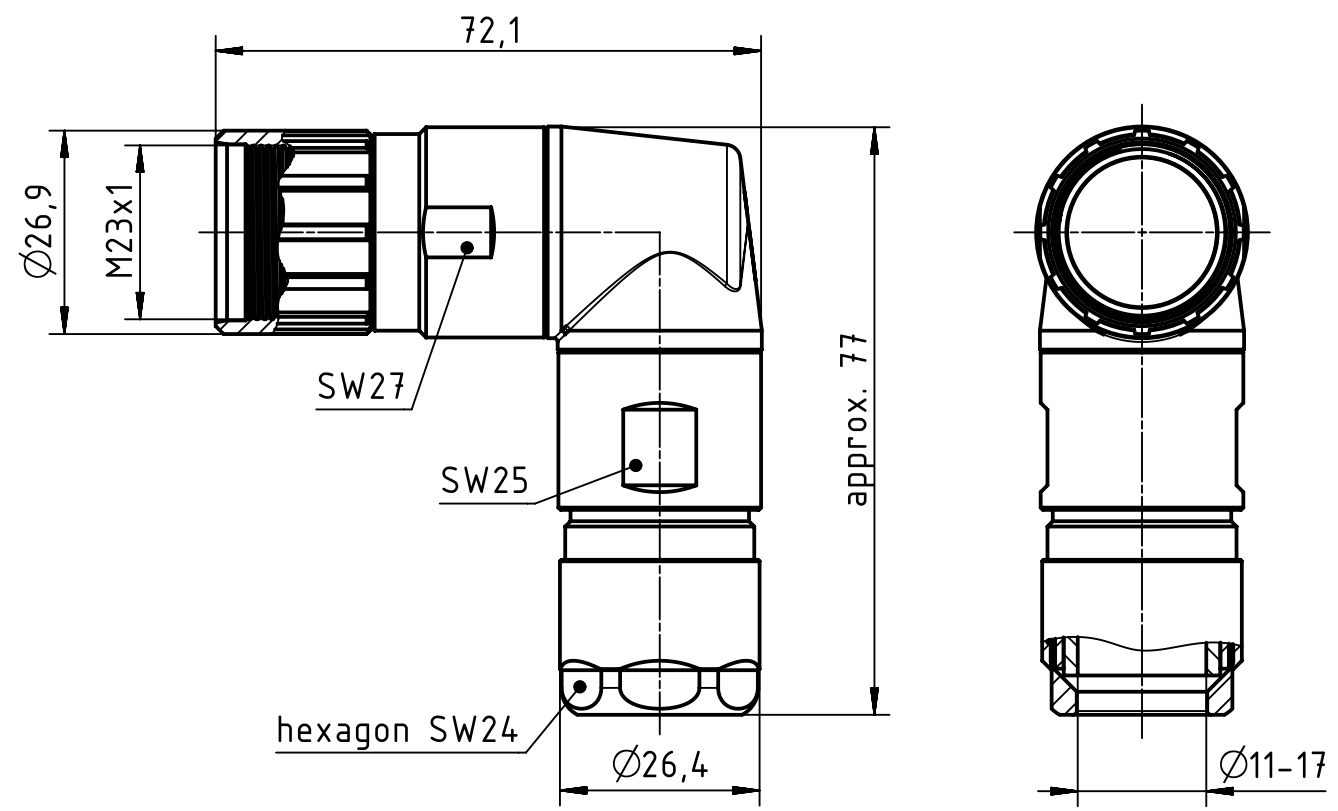
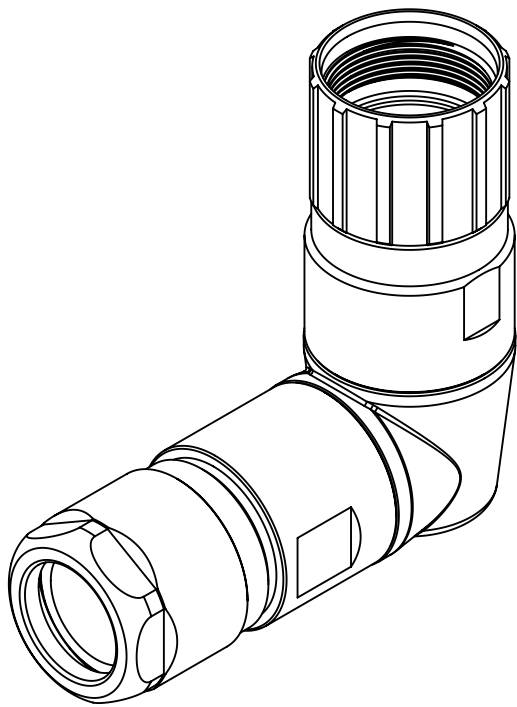
1 2 3 4 5 6

A

B

C

D



	All rights reserved Department EL PD - DE	All Dimensions in mm Original Size DIN A4		Scale 1:1	Free size tol.	Ref. Sub.	
		Created by HARLASSK	Inspected by RIEPE	Standardisation RUETERA	Date 2017-10-06	State Final Release	
HARTING Electric GmbH & Co. KG D-32339 Espelkamp		Title Han M23 P Hood angl. 11-17mm rotatable				Doc-Key / ECM-Nr. 100735726/UGD/001/B 500000126204	
		Type TB	Number 09 15 600 0604			Rev. B	Page 1/1