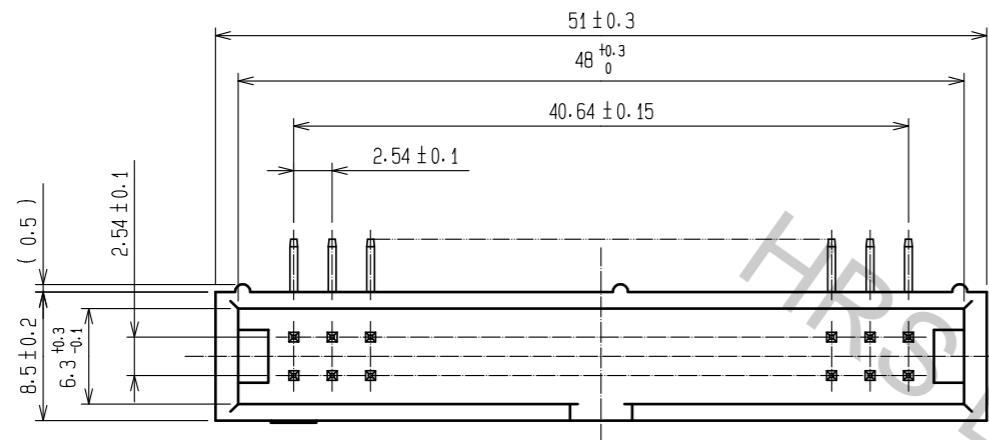
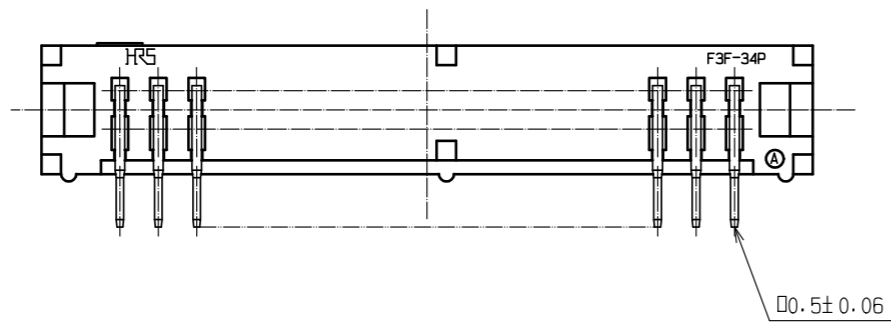
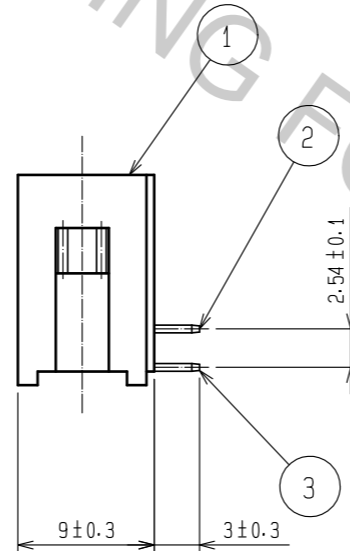
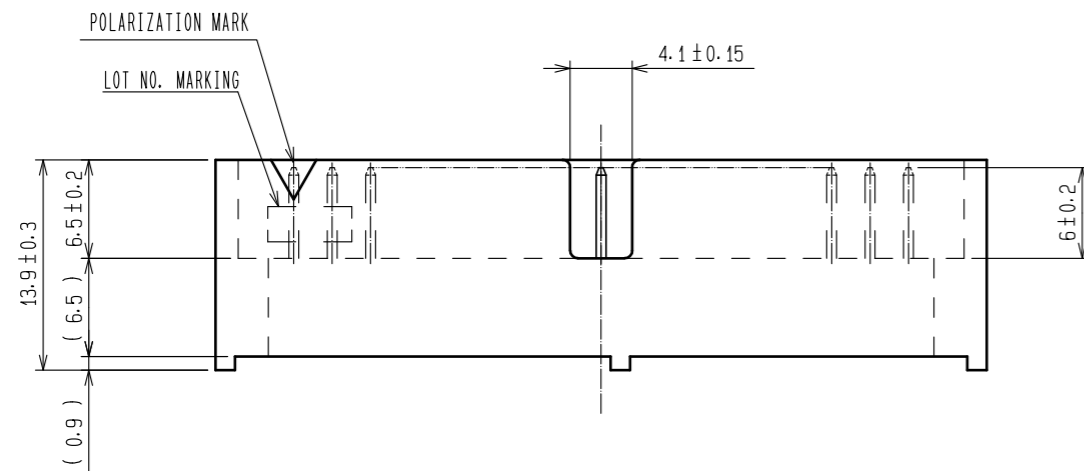
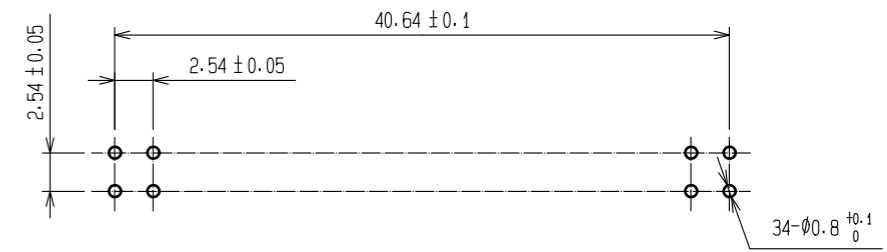


Oct.1.2018 Copyright 2018 HIROSE ELECTRIC CO., LTD. All Rights Reserved.
 In case that the application demands a high level of reliability, such as automotive,
 please contact a company representative for further information.



RECOMMENDED PC BOARD HOLE PATTERN



NOTE 1. THE DIMENSIONS IN PARENTHESES ARE FOR REFERENCE.

1		PBT	BLACK	UL94V-0	2, 3	BRASS	CONTACT AREA:GOLD 0.2μm min.
NO.		MATERIAL	FINISH . REMARKS		NO. MATERIAL FINISH . REMARKS		LEAD AREA:TIN-PLATING 2μm min.
							UNDER PLATING:NICKEL 2.5μm min.
UNITS	mm	SCALE	2 : 1	COUNT	DESCRIPTION OF REVISIONS	DESIGNED	CHECKED
HRS		HIROSE ELECTRIC CO., LTD.		APPROVED : HS. OKAWA	15.07.29	DRAWING NO. EDC-016850-71-00	
				CHECKED : HT. YAMAGUCHI	15.07.29	PART NO. HIF3F-34PA-2.54DS(71)	
				DESIGNED : TH. SANO	15.07.28	CODE NO. CL615-0046-0-71	
				DRAWN : HR. NAGAYASU	15.07.28	1/1	