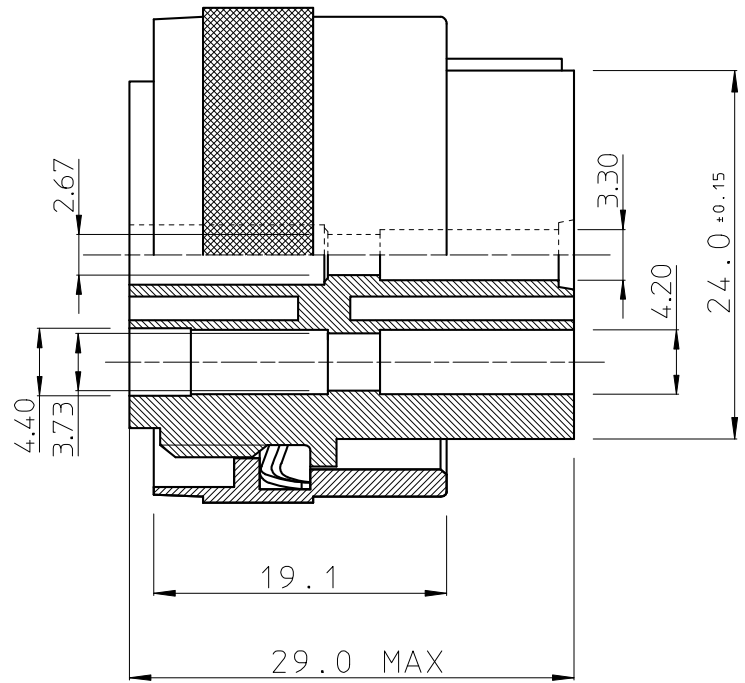
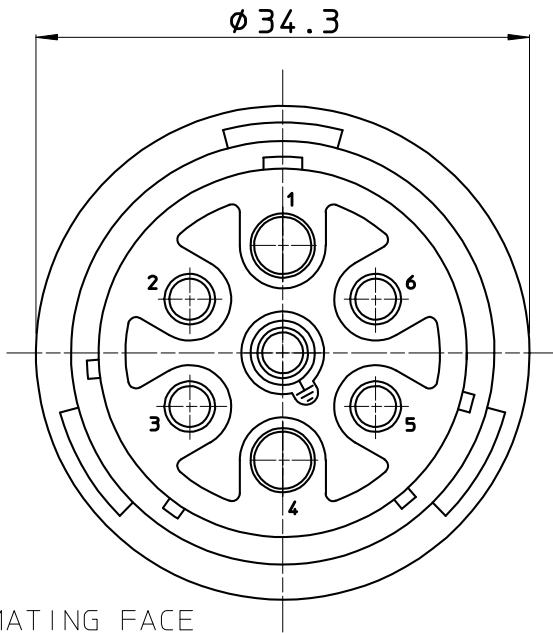


DIT IS ONZE EIGENDOM EN MAG NOCH NAGEMAAKT, HERDRUKT, OVERGEMAAKT AAN DERDEN, NOCH VOOR FABRIKATIE GEBRUIKT WORDEN, ZONDER ONZE SCHRIFTELIJKE TOELATING. BIJ NIET GEBRUIK IS DE TERUGZENDING VERPLICHT.  
 THIS IS OUR EXCLUSIVE PROPERTY. IT IS NOT TO BE COPIED, REPRINTED OR DISCLOSED TO A THIRD PARTY, NOR USED FOR MANUFACTURING WITHOUT OUR WRITTEN CONSENT, AND HAS TO BE RETURNED TO US IN CASE OF NO USAGE

REV.	DATE	DESCRIPTION	BY	C'K'D'
00	16/11/07	FIRST ISSUE	R.Ch	



MATING FACE

### MATERIAL

- BODY : GLASS-FILLED POLYESTER.  
COLOUR : BLACK.
- BAYONET COUPLING RING : HIGH STRENGTH CuZn ALLOY, NICKEL PLATED.

### PERFORMANCE CHARACTERISTICS

- OPERATING TEMPERATURE : -25 °C TO +125 °C.
- INSULATION RESISTANCE : 5000 M Ohm MIN.
- TEST POTENTIAL : 2000 V EFF.


### NOTES

- CONNECTOR ACCEPTS: Ø 2.4 MM MACHINED SOCKET CONTACTS IN POS. 1, 4.  
Ø 1.6 MM SOCKET CONTACTS IN POS. 2, 3, 5, 6 AND 7.
- CONNECTOR ACCEPTS # 16 STRIP FORMED, MACHINED AND SUBMINIATURE COAXIAL PIN AND SOCKET CONTACTS AND # 12 MACHINED CONTACTS
- CONTACTS TO BE ORDERED SEPARATELY.

00

BS, A , 200868, 009

GEN. ST.	01	02	03	04	05	06	07	08	0D	50	60	70	80	90																	
INT. ST.	10	11	12	13	14	18	20	31	32	33	34	38	39	40	42	43	44	45	46	48	56	70	72	73	75	76	81	82	83	84	88

1DEC ±0,2 2DEC ±0,1 ANGLES ±1° HOEKEN	1DEC 2DEC	<b>APPR.</b>	<b>DATE</b>	<b>SIGN.</b>	FEMALE UTG187 PLUG WITH 2 CONTACTS Ø2.4
WE RESERVE THE RIGHT TO CHANGE DIMENSIONS OR REQUIREMENTS WITHOUT PRIOR NOTICE.		DRAFT	16/11/07	ROUILLARD	<b>CAT. No.</b> UTG6187SN34
ALL DIMENSIONS IN MM		PROD. MGR.			 <b>SOURIAU</b> Route Nationale 23 72470 CHAMPAGNE
ALLE AFMETINGEN IN MM		PR. ENG. MGR.			
		PR. MGT. MGR.			<b>REFERENCES / REFERENTIES</b> BS, A , 200868, 009
					DRAWING NR.      CUSTOMER DRAWING      REVISION

NOT EXPORT CONTROLLED