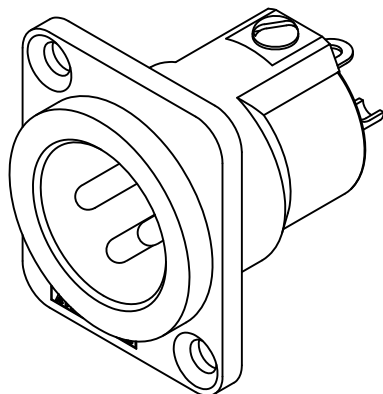


PANEL CUT OUT



ISO VIEW

AC*MDZ	INSERT No.	SHELL FINISH
AC3MDZ	156-4066-*00	NICKEL PLATED
AC3MMDZ	156-4068-*00	NICKEL PLATED
AC4MDZ	156-4069-*00	NICKEL PLATED
AC5MDZ	156-4070-*00	NICKEL PLATED
AC6AMDZ	156-4071-*00	NICKEL PLATED
AC7MDZ	156-4072-*00	NICKEL PLATED
AC3MDZB	156-4066-*00	MATT BLACK
AC3MMDZB	156-4068-*00	MATT BLACK
AC4MDZB	156-4069-*00	MATT BLACK
AC5MDZB	156-4070-*00	MATT BLACK
AC6AMDZB	156-4071-*00	MATT BLACK
AC7MDZB	156-4072-*00	MATT BLACK

NOTE:

1. ADD -AU TO PN FOR GOLD PLATED CONTACTS FOR EXAMPLE AC3MMPNZB-AU
2. ADD BULK TO THE PN FOR BULK PACKING. FOR EXAMPLE AC3MMPNZB-AU BULK

REV.	CHANGE DETAILS	BY	DATE	CHG/No
4	ADD PN FOR MATT BLACK SHELL FINISH ADD NOTE TO ADD -AU FOR GOLD PLATED CONTACTS	MH	14-06-16	9351
3	UPDATE TO AMPHENOL TITLE BLOCK & LOGO ADD SHEET 2 OF 2 FOR CUSTOMER DRAWING	L.V	02-10-01	7869
2	UPDATE TO AMPHENOL TITLE BLOCK & LOGO INCLUDE THE CONNECTOR ASSEMBLY VIEW	L.V	01-11-00	7661
1	FIRST ISSUE	R.D.	22-09-95	----

UNLESS OTHERWISE SPECIFIED TOLERANCE TO BE		THIS DOCUMENT IS THE PROPERTY OF AMPHENOL AUSTRALIA PTY. LTD.. NO PART THEREOF MAY BE REPRODUCED AND USED WITHOUT THE PRIOR WRITTEN CONSENT OF THE OWNER				CAD FILE: 00819104		DRN: R.D.	DATE: 22-09-95	TITLE:	Amphenol Amphenol Australia Pty.Ltd, 2 Fireweys Blvd, Keysborough, Vic3173 DRAWING NO. SHEET 128459-0000 2 OF 2
LINEAR	ANGULAR	MATERIAL: REFER TO COMPONENT		CKD: M.N.H	DATE: 14-06-16	AC*MDZ PANEL MOUNT CUSTOMER DRAWING		SCALE: 2:1 UOS	PART No: 128459-0000	SIZE: A3	
BREAK ALL SHARP EDGES AND REMOVE ALL BURRS		FINISH: REFER TO COMPONENT		APP'D: P.M	DATE: 14-06-16						
DIMENSIONS IN MILLIMETRES		THIRD ANGLE PROJECTION									