

.050" Mini D Ribbon (MDR) Cable Assembly

High Performance Digital Transmission System — 26 to 26 Position

14526-EZ8B-XXX-07X



- MDR shielded, High Speed Digital Data Transmission System
- 26 position MDR-LCD digital video interface for Panellink™/TMDS™ transmission
- Individually shielded 100 Ω twinax for data rates greater than 1 Gbps
- Features small and flexible shielded round cable with excellent EMI protection
- Ribbon type contact — industry preferred
- Reliable repetitive plugging/unplugging
- Quick release latches

TS-0757-11
Sheet 1 of 4

Date Issued: February 19, 1999

142

Physical

Connector Contact Plating

Wiping Area: See ordering information

Shell

Color: Parchment/Beige

Material: Acrylonitrile Butadiene Styrene (ABS)

Cable

Color: Parchment/Beige

Jacket Material: Polyvinyl Chloride (PVC)

Flammability: AWM VW-1

Electrical

Voltage Rating: 30 V

Current Rating: 1 A

Insulation Resistance: $> 5 \times 10^8 \Omega$ at 500 Vdc

Withstanding Voltage: 500 Vrms for 1 minute

Individually Shielded Twisted Pairs

Characteristic Impedance: $100 \pm 10 \Omega$

Conductor Size: 28 AWG Stranded

Propagation Velocity: 1.25 ns/ft [4.1 ns/m]

Environmental

Temperature Rating: -20°C to $+75^\circ\text{C}$

UL File No.: E86982

3M Electronic Products Division

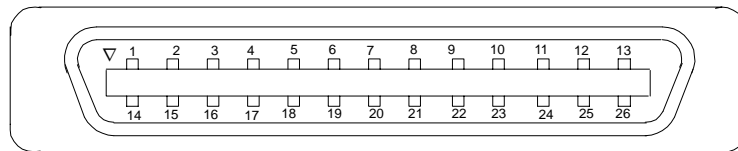
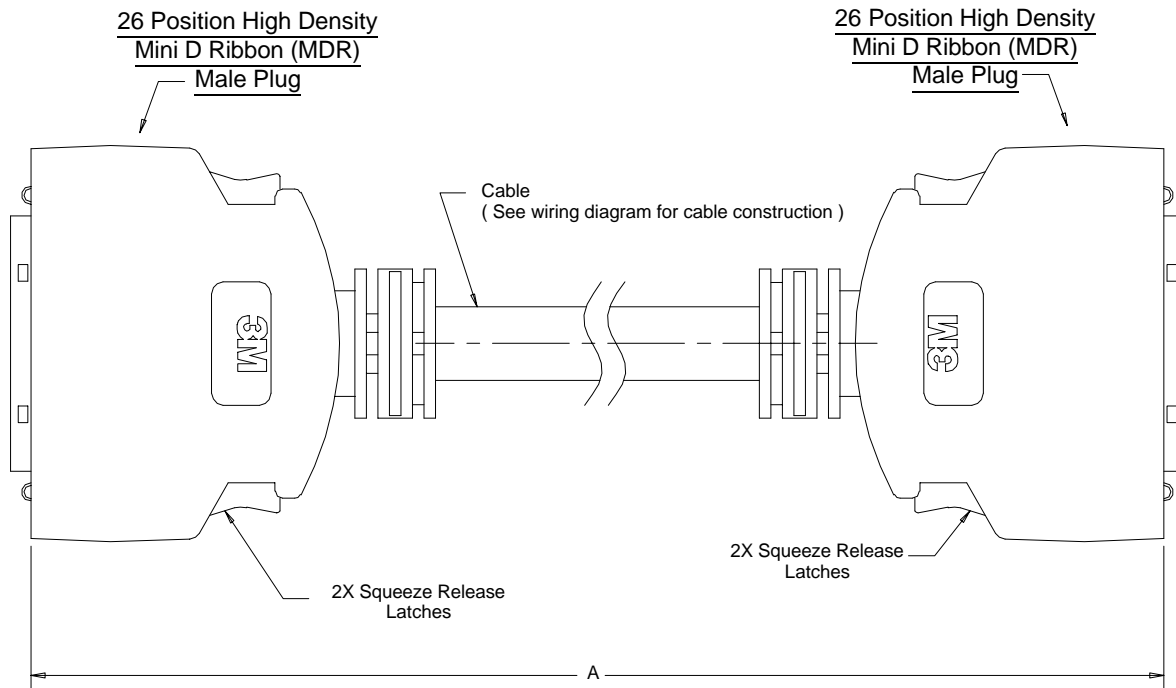
6801 River Place Blvd.
Austin, TX 78726-9000

For technical, sales or ordering information call
800-225-5373

.050" Mini D Ribbon (MDR) Cable Assembly

High Performance Digital Transmission System — 26 to 26 Position

14526-EZ8B-XXX-07X



MDR 26 Position Plug
(Both Ends)



Ordering Information

14526-EZ8B-XXX-07X

Length see Dim A
060 = 2 ft.
100 = 1 meters
200 = 2 meters
300 = 3 meters
500 = 5 meters
A00 = 10 meters

Plating Options for Wiping Area:
Blank = $8 \mu\text{m}$ [$0.2 \mu\text{m}$] Min. Gold
C = $30 \mu\text{m}$ [$0.76 \mu\text{m}$] Min. Gold

TS-0757-11
Sheet 2 of 4

3M Electronic Products Division

6801 River Place Blvd.
Austin, TX 78726-9000

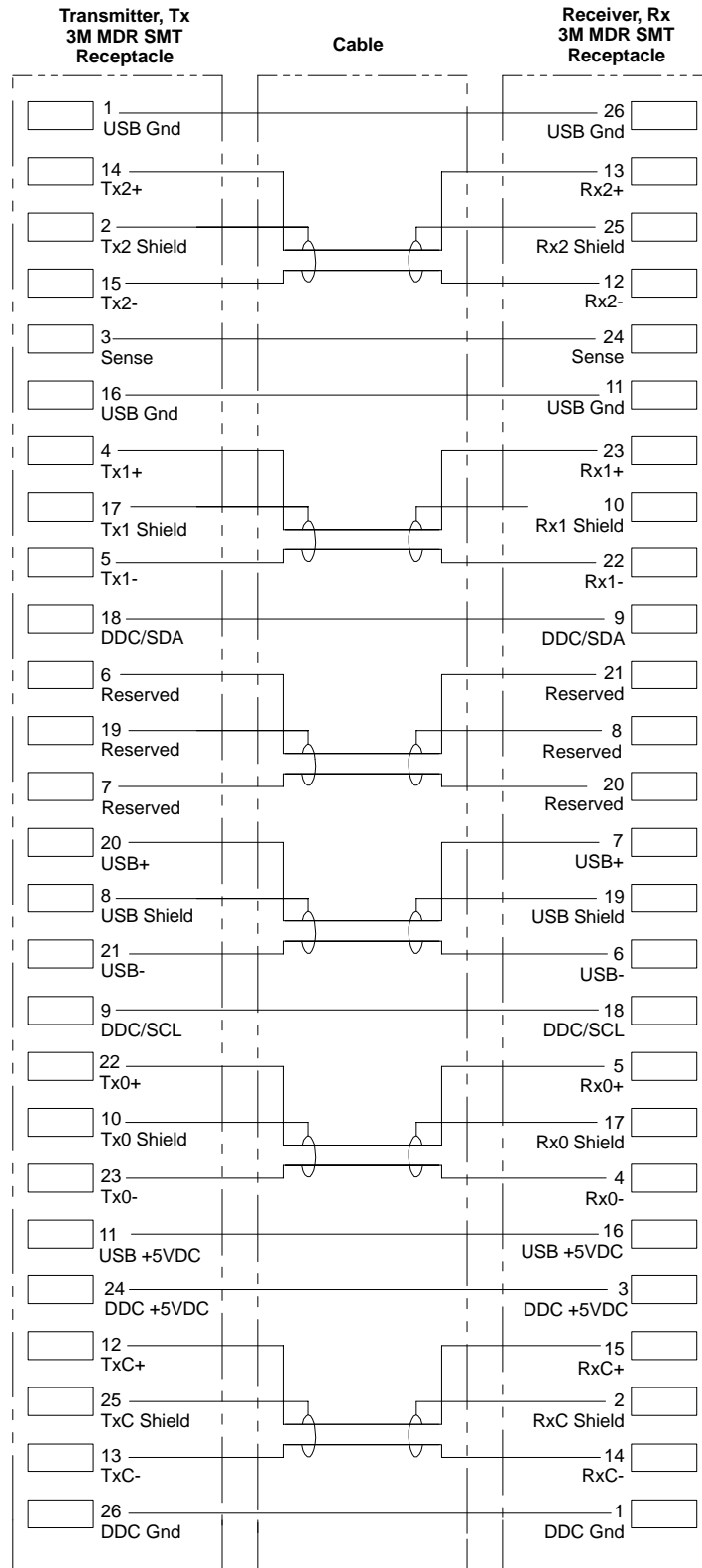
For technical, sales or ordering information call
800-225-5373

.050" Mini D Ribbon (MDR) Cable Assembly

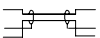
PanelLink™ /TMDS™ High Performance Digital Transmission System

14526-EZ8B-XXX-07X

MDR 26 Pin, PanelLink™ /TMDS™ Pinout P26-7 (Rev 6.1)



Symbols Key:



100 Ohm balanced individually shielded twisted pair w/drain

- 28 AWG insulated conductor

PanelLink and TMDS are trademarks of Silicon Image, Inc.

TS-0757-11
Sheet 3 of 4

3M Electronic Products Division

6801 River Place Blvd.
Austin, TX 78726-9000

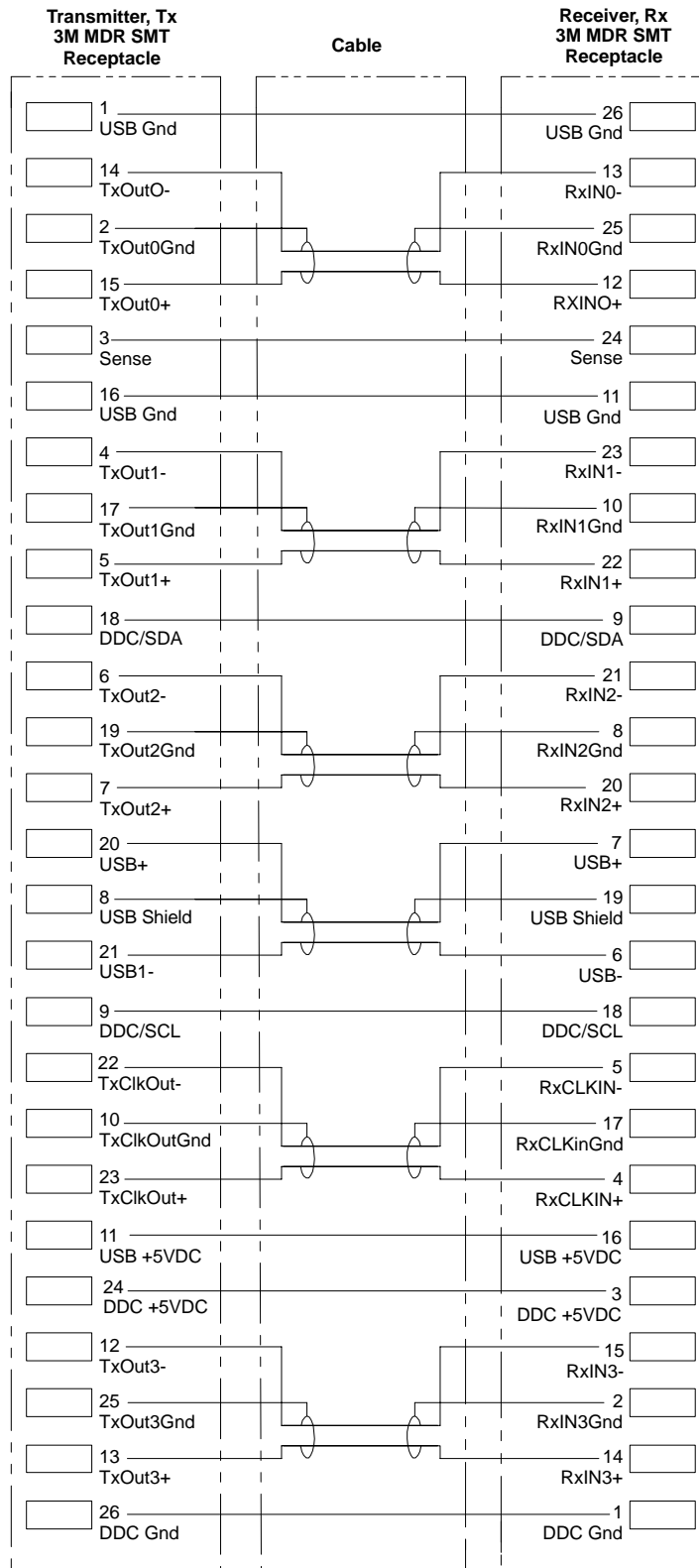
For technical, sales or ordering information call
800-225-5373

.050" Mini D Ribbon (MDR) Cable Assembly

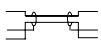
FPD Link™ High Performance Digital Transmission System

14526-EZ8B-XXX-07X

MDR 26 Pin, FPD Link Pinout F26-7 (Rev 6.1)



Symbols Key:



100 Ohm balanced individually shielded twisted pair w/drain

- 28 AWG insulated conductor

FPD Link™ is a registered trademark of National Semiconductor Inc.

TS-0757-11
Sheet 4 of 4

3M Electronic Products Division

6801 River Place Blvd.
Austin, TX 78726-9000

For technical, sales or ordering information call
800-225-5373