

SENTRON, 3LD switch disconnecter, main switch, 3- pole, Iu:16 A, Operational power / at AC-23 A at 400 V: 7,5 kW, molded-plastic enclosure for metric threaded joint, 1NC, 1NO, rotary operating mechanism, black



Model	
product brandname	SENTRON
Product designation	3LD switch disconnecter
Design of the product	Main switch
Design of the operating mechanism	Short rotary knob
Type of the driving mechanism / motor drive	No
General technical data	
Number of poles	3
Number of poles / Note	N
Type of device	fixed mounting
Operating frequency / maximum	50 1/h
Voltage	
Insulation voltage / rated value	690 V
Surge voltage resistance / rated value	6 kV
Protection class	
Protection class IP	IP65
Protection class IP / on the front	IP65

Dissipation	
<b>Power loss [W]</b>	
<ul style="list-style-type: none"> <li>for rated value of the current / at AC / in hot operating state / per pole</li> </ul>	0.5 W
Electricity	
Continuous current / rated value	16 A
Short-time current resistance (I <sub>cw</sub> ) / at 690 V / limited to 1 s / rated value	340 A
Main circuit	
<b>Operating frequency</b>	
<ul style="list-style-type: none"> <li>initial value</li> </ul>	50 Hz
<ul style="list-style-type: none"> <li>Full-scale value</li> </ul>	60 Hz
<b>Operating power</b>	
<ul style="list-style-type: none"> <li>at AC-23 A / at 400 V / rated value</li> </ul>	7.5 kW
<ul style="list-style-type: none"> <li>at AC-23 A / at 690 V / rated value</li> </ul>	7.5 kW
<ul style="list-style-type: none"> <li>at AC-3 / at 400 V / rated value</li> </ul>	5.5 kW
<ul style="list-style-type: none"> <li>at AC-3 / at 690 V / rated value</li> </ul>	5.5 kW
<b>Operating voltage</b>	
<ul style="list-style-type: none"> <li>at AC / at 50/60 Hz / rated value</li> </ul>	690 V
Auxiliary circuit	
<b>Operating voltage / of auxiliary contacts / at AC / maximum</b>	500 V
<b>Continuous current / of the auxiliary contact / rated value</b>	10 A
<b>Insulation voltage / of the auxiliary switch / rated value</b>	500 V
Suitability	
<b>Suitability for use</b>	
<ul style="list-style-type: none"> <li>Main switch</li> </ul>	Yes
<ul style="list-style-type: none"> <li>switch disconnecter</li> </ul>	Yes
<ul style="list-style-type: none"> <li>EMERGENCY OFF switch</li> </ul>	No
<ul style="list-style-type: none"> <li>safety switch</li> </ul>	Yes
<ul style="list-style-type: none"> <li>maintenance/repair switch</li> </ul>	Yes
Product details	
Product feature / interlock	Yes
Product extension / optional	
<ul style="list-style-type: none"> <li>motor drive</li> </ul>	No
<ul style="list-style-type: none"> <li>Voltage trigger</li> </ul>	No
Connections	
<b>Type of electrical connection</b>	

- for main current circuit
- for auxiliary contacts

Box terminal  
connection terminals

### Requirements

#### Design of the fuse link

- for short-circuit protection of the main circuit / required
- for short-circuit protection of the auxiliary switch / required

fuse gL/gG: 20 A

fuse gL/gG: 10 A

### Mechanical Design

#### Height

152 mm

#### Width

100 mm

#### Depth

117 mm

#### Mounting type

Complete unit in enclosure

#### Mounting type

- front mounting with 4-hole attachment
- front mounting with central attachment
- rail mounting

No

Yes

No

#### Net weight

455 g

### Environmental conditions

#### Ambient temperature

- during operation / minimum
- during operation / maximum

-25 °C

55 °C

### Certificates

#### Equipment marking

- acc. to DIN EN 61346-2
- acc. to DIN EN 81346-2

S

SF

### General Product Approval

### Declaration of Conformity



CCC



CSA



UL



VDE

[sonstig](#)



EG-Konf.

#### Test

#### Certificates

[spezielle  
Prüfbescheinigunge  
n](#)

#### Shipping Approval



LRS

#### other

[Umweltbestätigung](#)

## Further information

### **Information- and Downloadcenter (Catalogs, Brochures,...)**

<http://www.siemens.com/lowvoltage/catalogs>

### **Industry Mall (Online ordering system)**

<https://mall.industry.siemens.com/mall/en/en/Catalog/product?mlfb=3LD2064-1GP51>

### **Service&Support (Manuals, Certificates, Characteristics, FAQs,...)**

<http://support.automation.siemens.com/WW/view/en/3LD2064-1GP51/all>

### **Image database (product images, 2D dimension drawings, 3D models, device circuit diagrams, ...)**

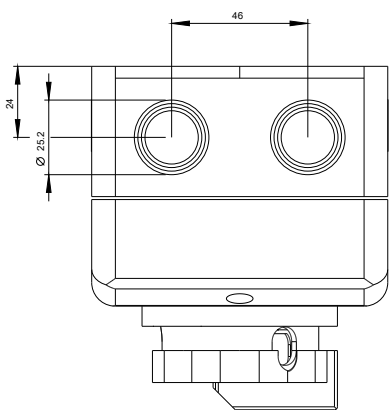
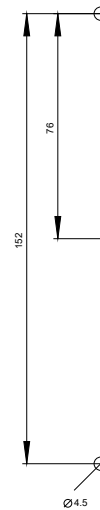
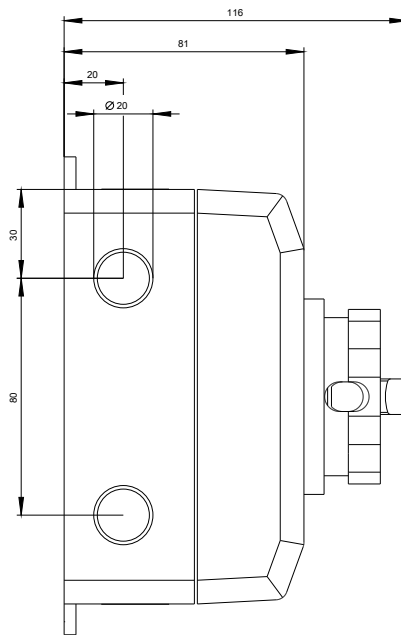
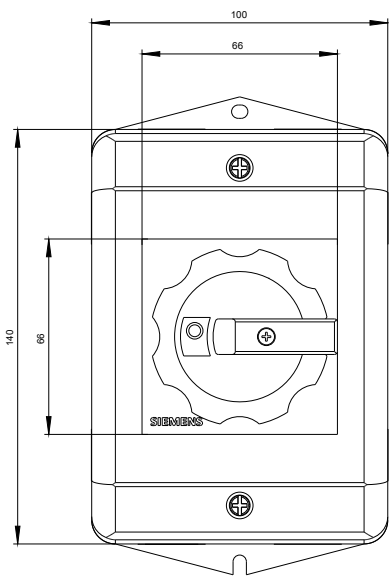
[http://www.automation.siemens.com/bilddb/cax\\_en.aspx?mlfb=3LD2064-1GP51](http://www.automation.siemens.com/bilddb/cax_en.aspx?mlfb=3LD2064-1GP51)

### **CAX-Online-Generator**

<http://www.siemens.com/cax>

### **Tender specifications**

<http://www.siemens.com/specifications>



**-Q1**

