

Inductive Sensors



Housing Style	Part Number	ID Number	Features	Sensing Range (mm)	Output
8 mm - Embeddable, Miniature Threaded Barrel, Potted-In Cable 	Bi 2-EG08-AG41X	S4562000		2	2-Wire DC
	Bi 2-EG08-AG41X/S1589	S4562088	weldguard	2	
	Bi 1.5-EG08-AN6X	S4602340		1.5	3-Wire DC NPN
	Bi 1.5U-EG08-AN6X	S4600510	Uprox	1.5	
	Bi 2-EG08-AN6X	S4602140	Ext. Range	2	
	Bi 2-EG08-AN6X/S1589	S4602181	weldguard	2	
	Bi 2U-EG08-AN6X	S4602035	Uprox	2	
	Bi 1.5-EG08-AN7X	S1766110	TTL Compatible	1.5	
	Bi 1.5-EG08-AP6X	S4602240		1.5	3-Wire DC PNP
	Bi 1.5U-EG08-AP6X	S4600500	Uprox	1.5	
	Bi 2-EG08-AP6X	S4602040	Ext. Range	2	
	Bi 2-EG08-AP6X/S100	S4602047	High Temp. 100°C	2	
	Bi 2-EG08-AP6X/S957	S4602008	Flush Mount	2	
	Bi 2-EG08-AP6X/S1589	S4602085	weldguard	2	
	Bi 2-EG08-AP6X/S1610	S4602086-1	armorguard	2	
	Bi 2U-EG08-AP6X	S4602032	Uprox	2	
	Bi 1.5-EG08-Y1	S1003500		1.5	2-Wire DC NAMUR
	Bi 2-EG08-AZ14X	S4100001		2	2-Wire AC/DC
	Bi 2-EG08-VP6X	S1604610	Comp. Outputs	2	4-Wire DC PNP
8 mm - Embeddable, Miniature Threaded Barrel, Potted-In Cable, Teflon Coated 	Bi 2-EGT08-AG41X	S4602540		2	2-Wire DC
	Bi 1.5-EGT08-AP/S100	S4602256	High Temp. 100°C	1.5	3-Wire DC PNP



Voltage	Switching Freq. (Hz)	Operating Current (mA)	Operating Temp. (°C)	Protection	Housing	Face	End Cap	Power LED	Output LED	Cable Length/ Cable Mat.	Wiring Diagram #	Wiring Diagrams
10-55 VDC	1000	≤100	-25 to +70	IP 67	SS	PA 12	TROG	N/A	YE	2M/PUR	4	Diagram 1
	1000	≤100	-25 to +70	IP 67	SS	WG	TROG	N/A	YE	2M/PUR	4	
10-30 VDC	3000	≤150	-25 to +70	IP 67	SS	PA 12	TROG	N/A	YE	2M/PUR	1	Diagram 2
	2000	≤150	-30 to +85	IP 68	SS	PA 12	TROG	N/A	YE	2M/PUR	1	
	3000	≤150	-25 to +70	IP 67	SS	PA 12	TROG	N/A	YE	2M/PUR	1	
	3000	≤150	-25 to +70	IP 67	SS	WG	TROG	N/A	YE	2M/PUR	1	
	2000	≤150	-30 to +85	IP 68	SS	PA 12	TROG	N/A	YE	2M/PUR	1	
10-30 VDC	3000	≤150	-25 to +70	IP 67	SS	PA 12	TROG	N/A	YE	2M/PUR	2	Diagram 3
	2000	≤150	-30 to +85	IP 68	SS	PA 12	TROG	N/A	YE	2M/PUR	2	
	3000	≤150	-25 to +70	IP 67	SS	PA 12	TROG	N/A	YE	2M/PUR	2	
	3000	≤150	-25 to +100	IP 67	SS	PA 12	TROG	N/A	YE	2M/PUR	2	
	3000	≤150	-25 to +70	IP 67	SS	PA 12	TROG	N/A	YE	2M/PUR	2	
	3000	≤150	-25 to +70	IP 67	SS	WG	TROG	N/A	YE	2M/PUR	2	
	2000	≤150	-30 to +85	IP 68	SS	PA 12	TROG	N/A	YE	2M/PUR	2	
5-30 VDC	5000	Remote	-25 to +70	IP 67	SS	PA 12	TROG	N/A	N/A	2M/PUR	3	Diagram 4
20-132 VAC 10-140 VDC	20	≤100	-25 to +70	IP 67	SS	PA 12	TROG	N/A	YE	2M/PUR	5	Diagram 5
												Diagram 6
10-30 VDC	3000	≤150	-25 to +70	IP 67	SS	PA 12	TROG	N/A	YE	2M/PUR	6	
10-55 VDC	1000	≤100	-25 to +70	IP 67	TC	PA 12	TC	N/A	YE	2M/PUR	4	
10-30 VDC	2000	≤150	-25 to +100	IP 67	TC	PA 12	TC	N/A	YE	2M/PUR	2	

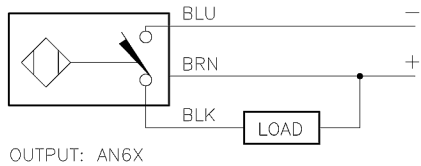


Barrels

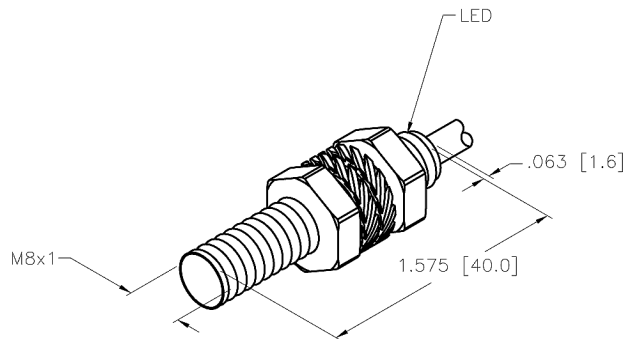
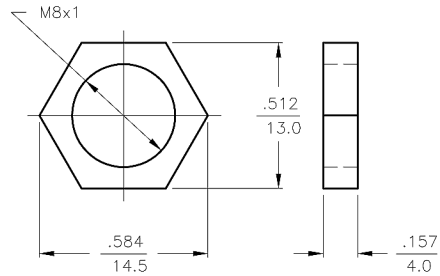
WIRING DIAGRAM

LOCKNUT LN-SS08

SPECIFICATIONS



SHORT-CIRCUIT AND OVERLOAD PROTECTED



RATED OPERATING DISTANCE	2mm =.079"
MOUNTING MODE	FLUSH
MIN. REPEAT ACCURACY	≤ 2%
TEMPERATURE DRIFT	≤ ±10%
HYSTERESIS (SWITCHING DISTANCE)	3-15%
OPERATING TEMPERATURE	-25°C to +70°C (-13°F to +158°F)
RATED OPERATIONAL VOLTAGE	10-30 VDC
MAX. RIPPLE	≤ 10%
RATED OPERATIONAL CURRENT	≤ 150 mA
NO-LOAD CURRENT	≤ 15 mA
MAX. OFF-STATE CURRENT	≤ 0.1 mA
RATED INSULATION VOLTAGE	≤ 0.5 kV
SHORT-CIRCUIT PROTECTED	YES
MAX. VOLTAGE DROP	≤ 1.8 V
REVERSE POLARITY PROTECTION	INCORPORATED
WIRE-BREAK PROTECTION	INCORPORATED
OUTPUT FUNCTION	NORMALLY OPEN, 3-WIRE, NPN
MAX. SWITCHING FREQUENCY	≤ 1 kHz
HOUSING MATERIAL	METAL, A4 1.4404 (AISI 316L)
ACTIVE FACE	PLASTIC, PA12-GF20
END CAP	PLASTIC, PP
CABLE	∅4, LiYY-11Y, PUR, 2 METER LENGTH
SHOCK RESISTANCE	30 g, 11 ms
VIBRATION RESISTANCE	55 Hz, 1 mm AMPLITUDE (IN ALL 3 PLANES)
DEGREE OF PROTECTION	IP68
SWITCHING STATUS INDICATION	LED: YELLOW

SOURCE DRAWING - FOR REFERENCE ONLY

RELATED DOCUMENTS		3RD ANGLE PROJECTION		THIS DRAWING IS PROPERTY OF TURCK INC. USE OF THIS DOCUMENT WITHOUT WRITTEN PERMISSION IS PROHIBITED.		 High Technology Sensors and Automation Controls	
1. 2. 3. 4.				DRFT	RDS	DATE	DESCRIPTION
MATERIAL		TOLERANCES UNLESS OTHERWISE SPECIFIED		DSGN	TB	SCALE	BI 2U-EG08-AN6X
FINISH		.X ±0.02 .XX ±0.01 .XXX ±0.005 ANGLES ±1° ALL MILLIMETER DIMENSIONS ARE REFERENCE ONLY		UNIT OF MEASUREMENT		IDENTIFICATION NO.	
A		DRAWING RELEASE		INCH [MILLIMETER]		S4602035	
RDS		05/09/06		DO NOT SCALE THIS DRAWING		REV	
BY		DATE		FILE: S4602035		A	
ECO NO.				SHEET		1 OF 1	

REV	DESCRIPTION	BY	DATE	ECO NO.
A	DRAWING RELEASE	RDS	05/09/06	