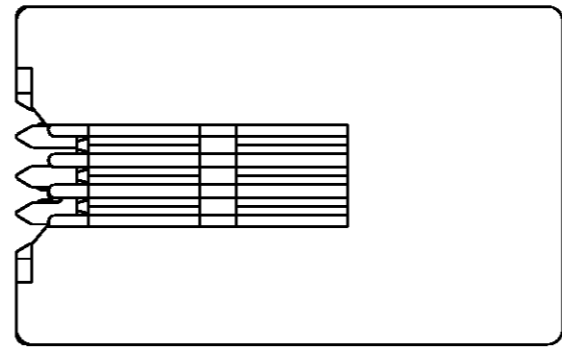
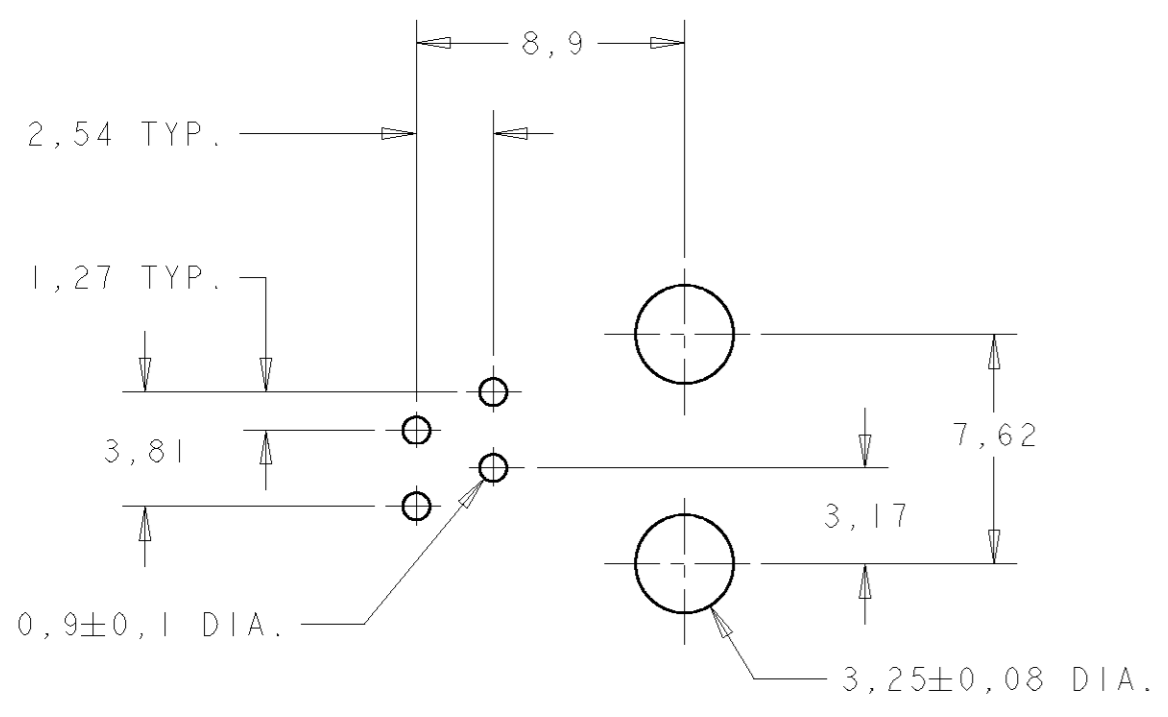
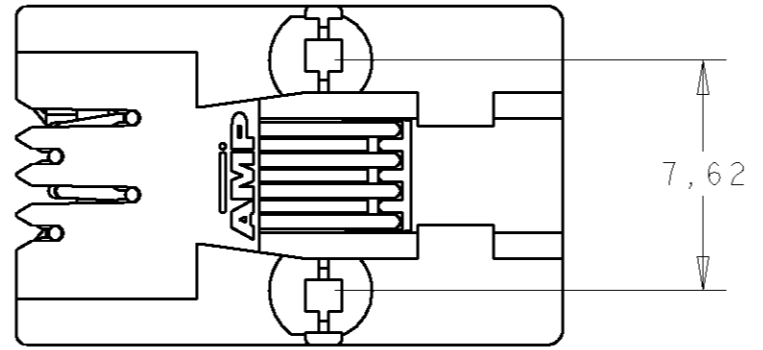
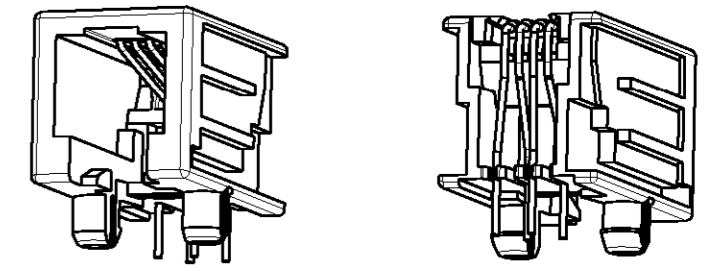
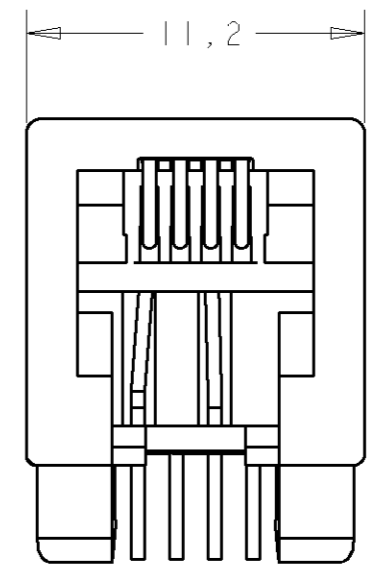
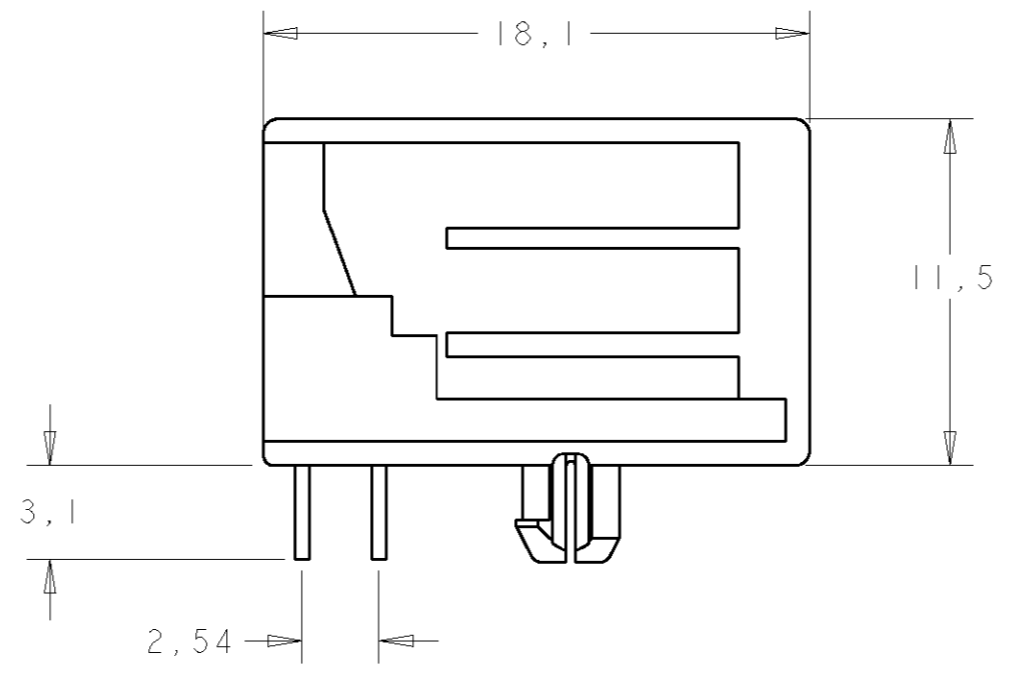
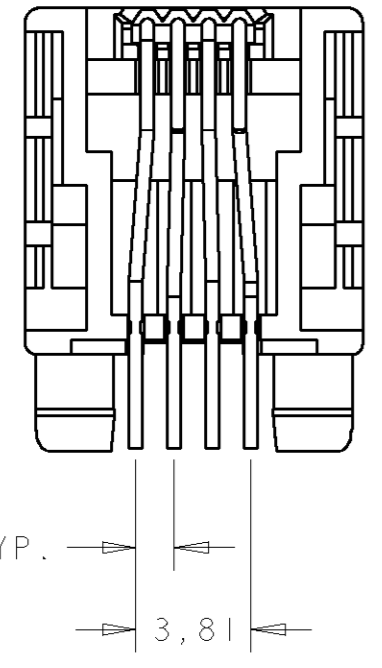


THIS DRAWING IS UNPUBLISHED. RELEASED FOR PUBLICATION DATE: -
 © COPYRIGHT 97 By Tyco Electronics Nederland B.V. ALL RIGHTS RESERVED.

LOC	DIST	REVISIONS			
		LTR	DESCRIPTION	DATE	APVD
H	-	A	EHI0-0183-05	10 FEB 05	JvdH
-	-	-	-	-	-
-	-	-	-	-	-



NOTE:
 1 TOLERANCE UNLESS OTHERWISE SPECIFIED: ±0,15mm.



PRINTED CIRCUIT BOARD LAYOUT
 (VIEW SHOWN IS CIRCUIT (NONCOMPONENT) SIDE OF BOARD.)
 PRINTED CIRCUIT BOARD THICKNESS: 1,6 mm NOMINAL.
 TOLERANCE UNLESS OTHERWISE SPECIFIED: ±0,05.

IN CONTACT AREA: 0,15µm SEL. GOLDFLASH. OVER 1,2µm MIN. NICKEL. SOLDER TINNES: 2,5µm MIN. TIN OVER 1,2µm MIN. NICKEL.	HOUSING, COLOR BLACK: PBT 20% GF, UL 94V-0 CONTACT INSERT: PBT, UL 94V-0 CONTACTS: PH, BRONZE	290 PCS IN A TRAY TAPE MOUNTED 1000pcs./reel	1-1705949-1 1705949-1
FINISH	MATERIAL	PACKAGING	PARTNUMBER

THIS DRAWING IS A CONTROLLED DOCUMENT FOR Tyco Electronics Nederland B.V. IT IS SUBJECT TO CHANGE AND THE CONTROLLING ENGINEERING ORGANIZATION SHOULD BE CONTACTED FOR THE LATEST REVISION.		DWN J.V.D.HEIJDEN	AMP Tyco Electronics Nederland B.V. 3-HERTOGENBOSCH, THE NETHERLANDS	
DIMENSIONS: mm		CHK P.WILLEMS		
TOLERANCES UNLESS OTHERWISE SPECIFIED: 0 PLC ± - 1 PLC ± - 2 PLC ± - 3 PLC ± - 4 PLC ± - ANGLES ± 0,2°		APVD J.BROEKSTEEG	NAME MODULAR JACK SIDE ENTRY 4/4 FOR PRINTED CIRCUIT BOARD.	
MATERIAL FINISH		PRODUCT SPEC -	SIZE A2	
		APPLICATION SPEC 114-19019	CAGE CODE 00779	DRAWING NO. 1705949
		WEIGHT -	SCALE 4:1 SHEET 1 OF 1 REV A	