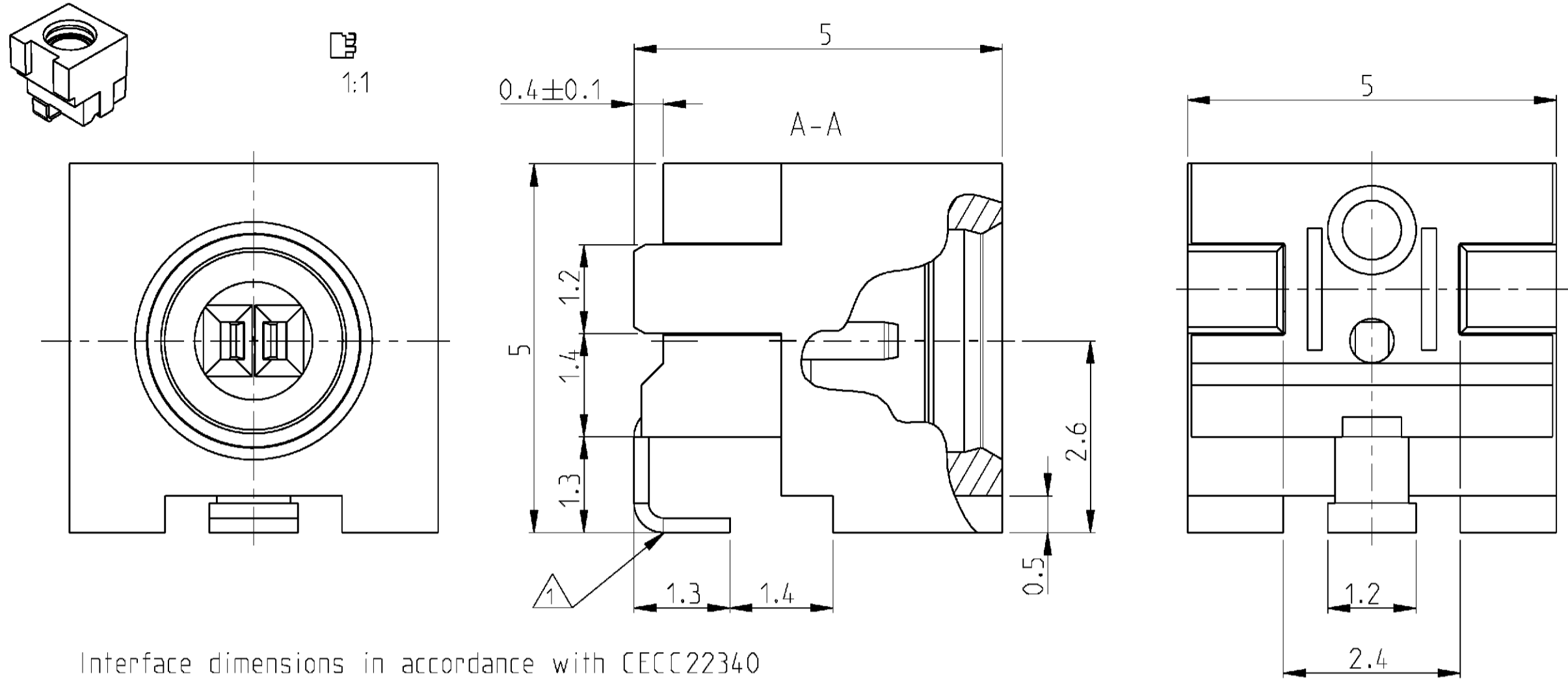
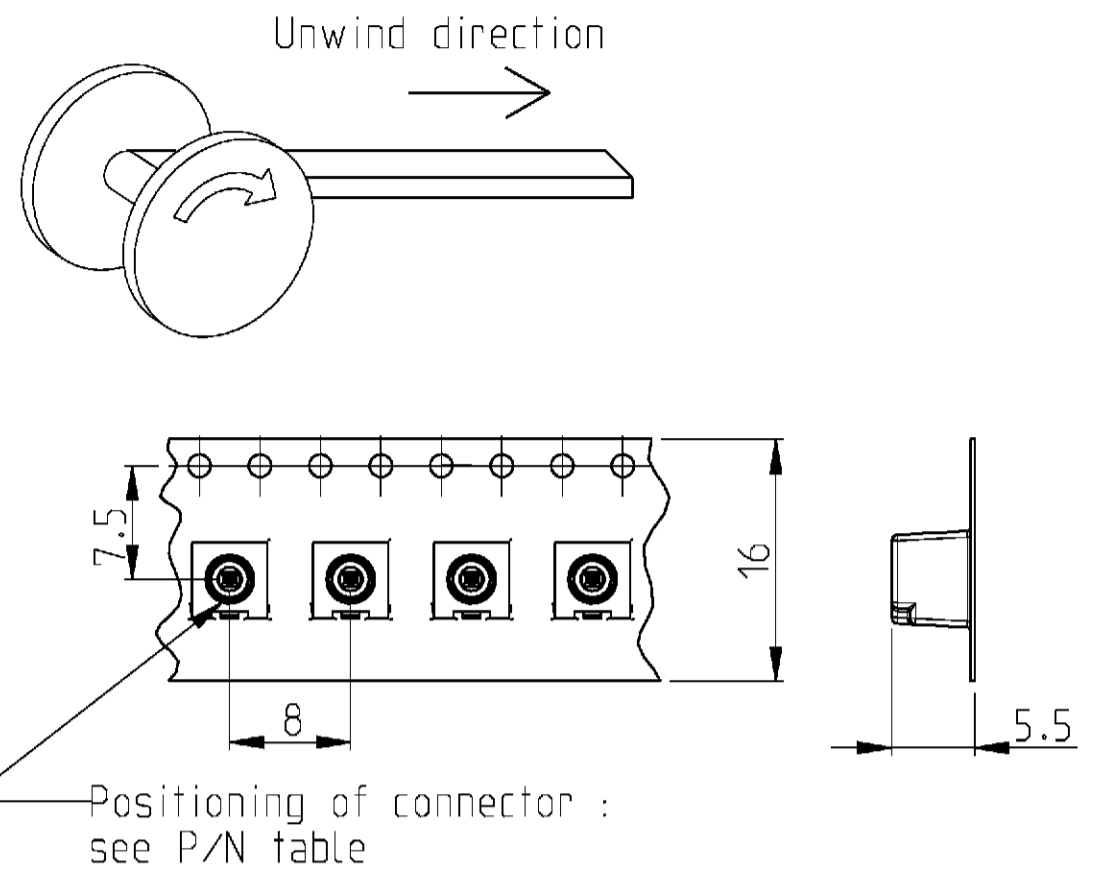


THIS DRAWING IS UNPUBLISHED. RELEASED FOR PUBLICATION
 © COPYRIGHT - BY TYCO ELECTRONICS CORPORATION. ALL RIGHTS RESERVED.

LOC	DIST	REVISIONS			
P	LTR	DESCRIPTION	DATE	DWN	APVD
GW	00				



Packaging : Tape on reel
 Reel width : 22.4 mm
 Reel diameter : 330 mm
 Quantity per reel : 750

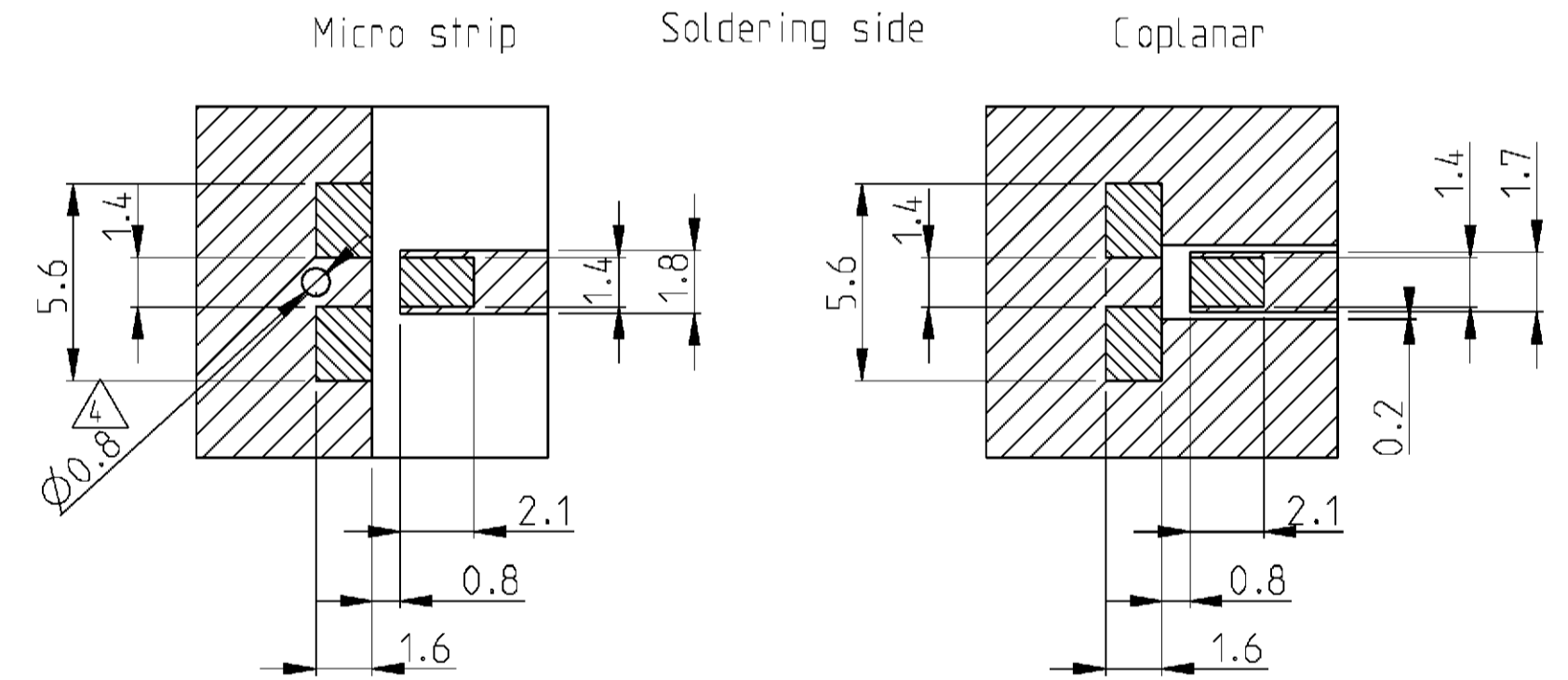


Further characteristics as per EIA-481

Interface dimensions in accordance with CECC22340

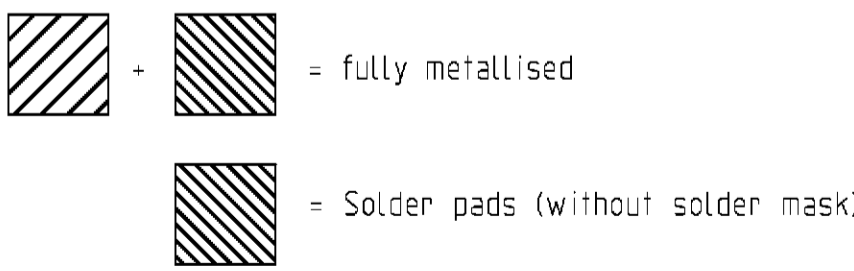
- ① Signal contact solder lead
- ② Partial SnPb plating on ①
- ③ Partial Sn plating on ①

Solderpad layout



Bottom side : fully metallised

Bottom side : no requirements



Applicable for PCB :
 1 mm thickness and FR4 material
 All tolerances of solder pad layout : ±0.05

Cross Reference Table			
Old part number	Tyco part number	Style	Positioning in tape
V23608-A1027-B2	1393757-6 ②	Straight	Straight
	1460820-1 (ROHS Compliant) ③		
V23608-A1227-B2	1393757-7 ②	Right angled	Right angled
	1460820-2 (ROHS Compliant) ③		

Active part numbers : contact Tyco Electronics for other configuration availability

THIS DRAWING IS A CONTROLLED DOCUMENT FOR TYCO ELECTRONICS CORPORATION. IT IS SUBJECT TO CHANGE AND THE CONTROLLING ENGINEERING ORGANIZATION SHOULD BE CONTACTED FOR THE LATEST REVISION.		DWN AH 07OCT2005	tyco Tyco Electronics	
		CHK RL 12OCT2005	Dostkamp - Belgium	
DIMENSIONS: mm		APVD -	NAME SMT Jack, series MMCX	
TOLERANCES UNLESS OTHERWISE SPECIFIED:		PRODUCT SPEC -		
0 PLC #+## #		APPLICATION SPEC -		
1 PLC #+## #		WEIGHT -	SIZE A2	CAGE CODE 00779
2 PLC #+## #		CUSTOMER DRAWING	DRAWING NO C=1460820	RESTRICTED TO -
3 PLC #+## #			SCALE 5:1	SHEET 1 OF 1
4 PLC #+## #				REV 0
ANGLES ±				
FINISH				