

# LQW2BHNR10G03#

“#” indicates a package specification code.

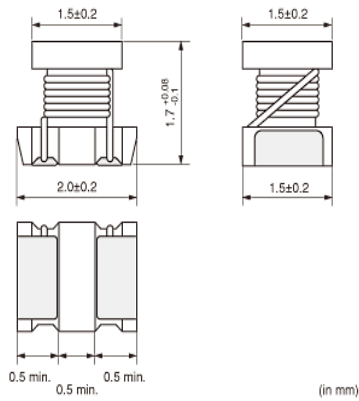
Size Code 2015 (0805) in mm (in inch), Wound Type



< List of part numbers with package codes >

LQW2BHNR10G03K      LQW2BHNR10G03L

## Appearance & Shape



## References

| Packaging | Specifications   | Standard Packing Quantity |
|-----------|------------------|---------------------------|
| K         | 330Embossed Tape | 7500                      |
| L         | 180Embossed Tape | 2000                      |

| Mass (typ.) |        |
|-------------|--------|
| 1 piece     | 0.009g |

### Attention

- 1.This datasheet is downloaded from the website of Murata Manufacturing Co., Ltd. Therefore, it's specifications are subject to change or our products in it may be discontinued without advance notice. Please check with our sales representatives or product engineers before ordering.
- 2.This datasheet has only typical specifications because there is no space for detailed specifications. Therefore, please review our product specifications or consult the approval sheet for product specifications before ordering.

# LQW2BHNR10G03#

“#” indicates a package specification code.

 Specifications

|  |                 |
|--|-----------------|
| L size   | 2.0±0.2mm       |
| W size   | 1.5±0.2mm       |
| T size   | 1.7+0.08/-0.1mm |
| Size code inch (mm)  | 0805 (2015)     |
| Inductance   | 100nH±2%        |
| Inductance Test Frequency  | 100MHz          |
| Rated current (Itemp)<br>(Based on Temperature rise)                     | 270mA           |
| Max. of DC resistance  | 0.55Ω           |
| Q(min.)  | 35              |
| Q Test Frequency   | 150MHz          |
| Self resonance frequency<br>(min.)                                       | 900MHz          |
| Operating Temperature<br>Range(Self-temperature rise<br>is not included) | -40°C to 85°C   |
| Series   | LQW2BHN_03      |

**Attention**

1.This datasheet is downloaded from the website of Murata Manufacturing Co., Ltd. Therefore, it's specifications are subject to change or our products in it may be discontinued without advance notice. Please check with our sales representatives or product engineers before ordering.

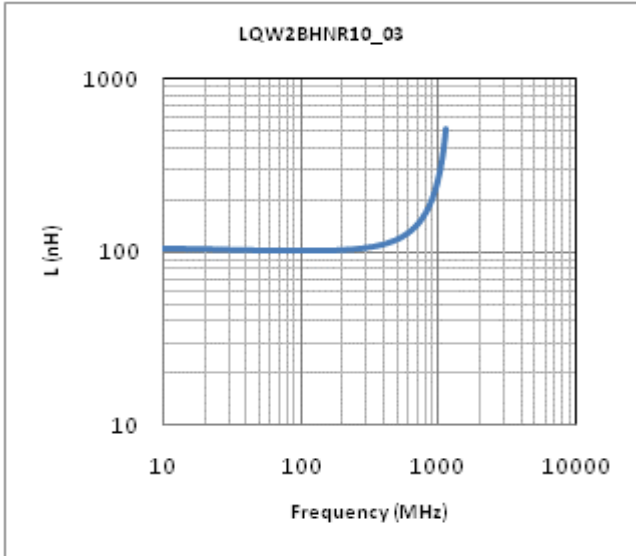
2.This datasheet has only typical specifications because there is no space for detailed specifications.

Therefore, please review our product specifications or consult the approval sheet for product specifications before ordering.

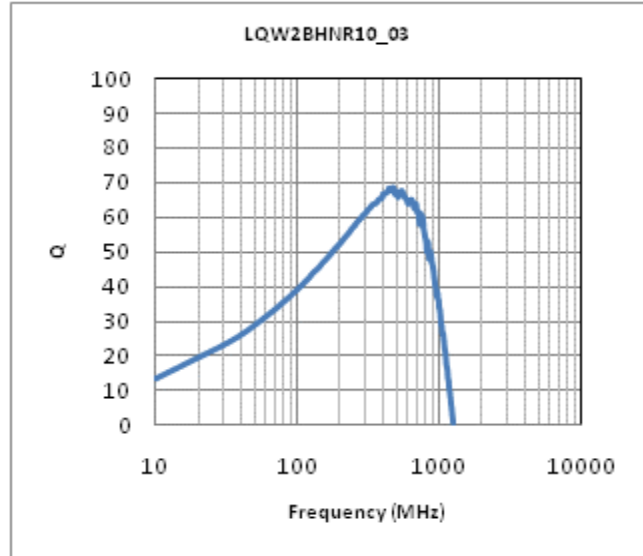
# LQW2BHNR10G03#

“#” indicates a package specification code.

## Characteristic Data



Inductance - Frequency Characteristics



Q-Frequency Characteristics

**Attention**

- 1.This datasheet is downloaded from the website of Murata Manufacturing Co., Ltd. Therefore, it's specifications are subject to change or our products in it may be discontinued without advance notice. Please check with our sales representatives or product engineers before ordering.
- 2.This datasheet has only typical specifications because there is no space for detailed specifications. Therefore, please review our product specifications or consult the approval sheet for product specifications before ordering.