

LQW2BASR39J00#

“#” indicates a package specification code.

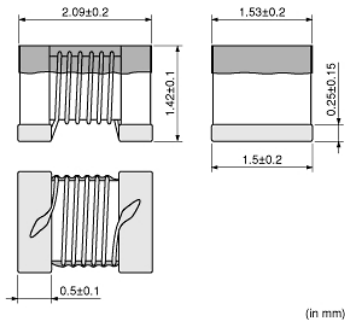
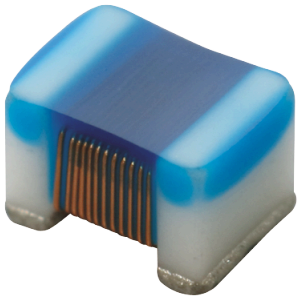
Size Code 2015 (0805) in mm (in inch), Horizontal Wound Type



< List of part numbers with package codes >

LQW2BASR39J00B LQW2BASR39J00K LQW2BASR39J00L

Appearance & Shape



References

Packaging	Specifications	Standard Packing Quantity
B	Bulk(Bag)	500
K	330Embossed Tape	8000
L	180Embossed Tape	2000

Mass (typ.)	
1 piece	0.014g

Attention

1.This datasheet is downloaded from the website of Murata Manufacturing Co., Ltd. Therefore, it's specifications are subject to change or our products in it may be discontinued without advance notice. Please check with our sales representatives or product engineers before ordering.

2.This datasheet has only typical specifications because there is no space for detailed specifications.

Therefore, please review our product specifications or consult the approval sheet for product specifications before ordering.

LQW2BASR39J00#

“#” indicates a package specification code.



Specifications

L size	2.09±0.2mm
W size	1.53±0.2mm
T size	1.42±0.1mm
Size code inch (mm)	0805 (2015)
Inductance	390nH±5%
Inductance Test Frequency	100MHz
Rated current (Itemp) (Based on Temperature rise)	290mA
Max. of DC resistance	1.5Ω
Q(min.)	48
Q Test Frequency	250MHz
Self resonance frequency (min.)	600MHz
Operating Temperature Range(Self-temperature rise is not included)	-55°C to 125°C
Series	LQW2BAS_00

Attention

1.This datasheet is downloaded from the website of Murata Manufacturing Co., Ltd. Therefore, it's specifications are subject to change or our products in it may be discontinued without advance notice. Please check with our sales representatives or product engineers before ordering.

2.This datasheet has only typical specifications because there is no space for detailed specifications.

Therefore, please review our product specifications or consult the approval sheet for product specifications before ordering.

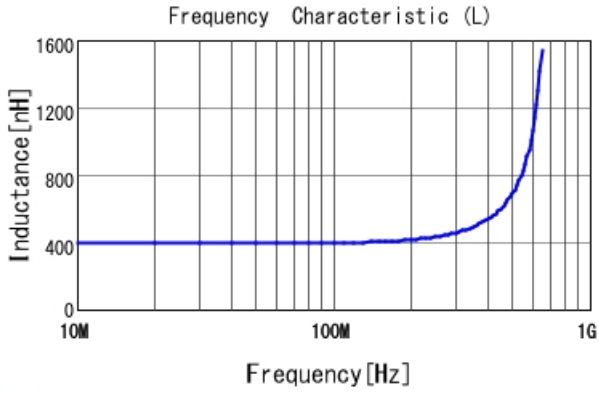
LQW2BASR39J00#

"#" indicates a package specification code.

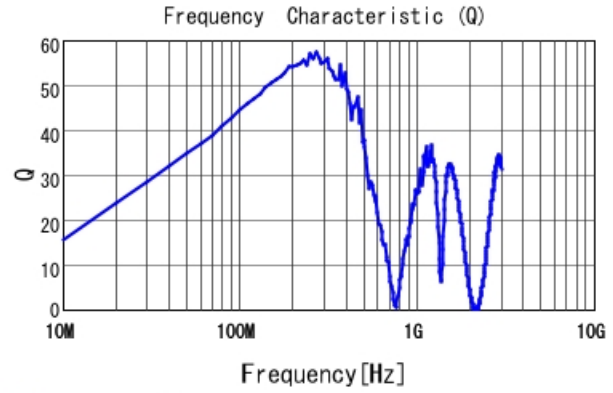


Characteristic Data

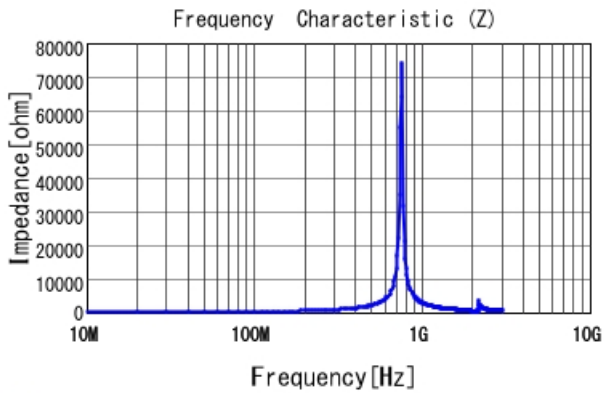
The charts below may show another part number which shares its characteristics.



■ LQW2BASR39J00 L



■ LQW2BASR39J00 Q



■ LQW2BASR39J00 |Z|

Attention

- 1.This datasheet is downloaded from the website of Murata Manufacturing Co., Ltd. Therefore, it's specifications are subject to change or our products in it may be discontinued without advance notice. Please check with our sales representatives or product engineers before ordering.
- 2.This datasheet has only typical specifications because there is no space for detailed specifications. Therefore, please review our product specifications or consult the approval sheet for product specifications before ordering.