

Toggle Switch

Q-2094

TYPE: **R13-403A**
R13-403C

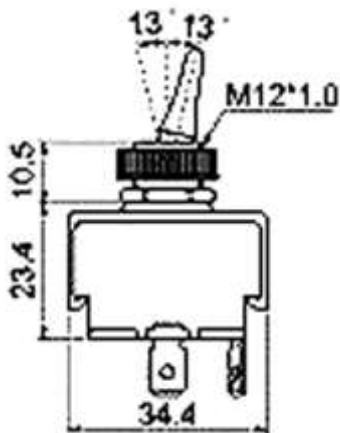
Q-10474

TYPE: **R13-403D**

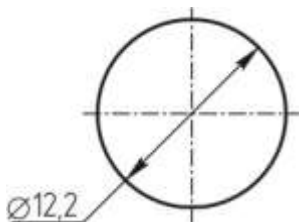
SPECIFICATIONS

Rating: 30A 12V DC
Contact R: 50mΩ max
Insulation R: 500V DC 100MΩ min
Dielectric Strength: 1 Minute 1000V AC
Operating Temperature: -25°C ~ +85°C
Electrical Life: 10, 000 Cycles

Outline Drawing



Mounting



Function

