

LQP03TN56NJ02#

“#” indicates a package specification code.

Size Code 0603 (0201) in mm (in inch), High Q, Wide Variation

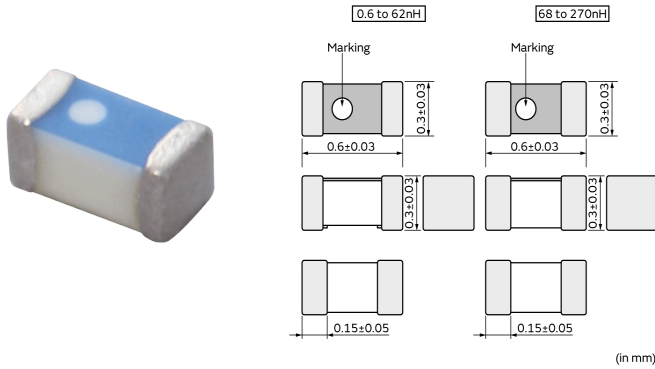


< List of part numbers with package codes >

LQP03TN56NJ02D LQP03TN56NJ02B LQP03TN56NJ02J

Appearance & Shape

References



Packaging	Specifications	Standard Packing Quantity
D	180mm Paper Tape	15000
B	Bulk(Bag)	500
J	330mm Paper Tape	50000

Mass (typ.)	
1 piece	0.2mg

Attention

- 1.This datasheet is downloaded from the website of Murata Manufacturing Co., Ltd. Therefore, it's specifications are subject to change or our products in it may be discontinued without advance notice. Please check with our sales representatives or product engineers before ordering.
- 2.This datasheet has only typical specifications because there is no space for detailed specifications. Therefore, please review our product specifications or consult the approval sheet for product specifications before ordering.

LQP03TN56NJ02#

“#” indicates a package specification code.



Specifications

L size	0.6±0.03mm
W size	0.3±0.03mm
T size	0.3±0.03mm
Size code inch (mm)	0201 (0603)
Inductance	56nH±5%
Inductance Test Frequency	300MHz
Rated current (Itemp) (Based on Temperature rise)	100mA
Max. of DC resistance	3.9Ω
Q(min.)	9
Q Test Frequency	300MHz
Self resonance frequency (min.)	1200MHz
Operating Temperature Range(Self-temperature rise is not included)	-55°C to 125°C
Series	LQP03TN_02

Attention

1.This datasheet is downloaded from the website of Murata Manufacturing Co., Ltd. Therefore, it's specifications are subject to change or our products in it may be discontinued without advance notice. Please check with our sales representatives or product engineers before ordering.

2.This datasheet has only typical specifications because there is no space for detailed specifications.

Therefore, please review our product specifications or consult the approval sheet for product specifications before ordering.

LQP03TN56NJ02#

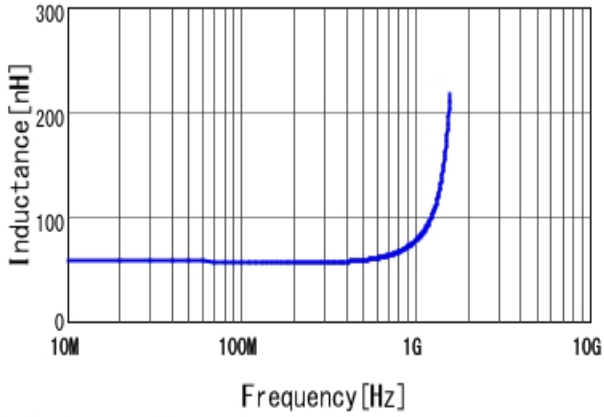
"#" indicates a package specification code.



Characteristic Data

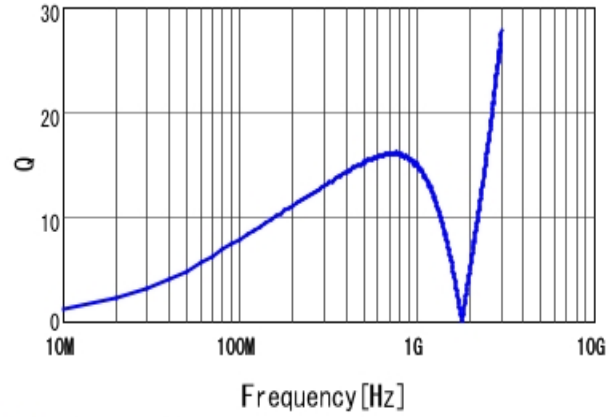
The charts below may show another part number which shares its characteristics.

Frequency Characteristic (L)



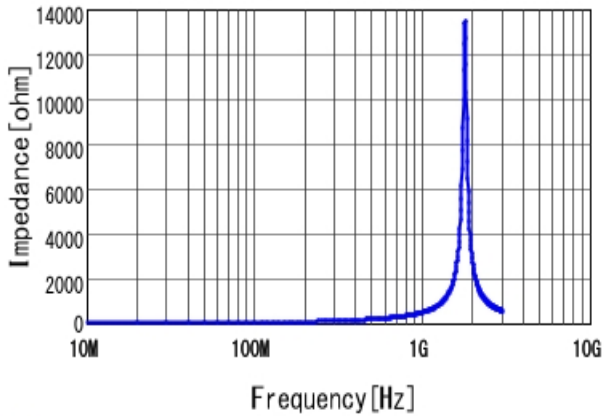
■ LQP03TN56NJ02 L

Frequency Characteristic (Q)



■ LQP03TN56NJ02 Q

Frequency Characteristic (Z)



■ LQP03TN56NJ02 |Z|

Attention

- 1.This datasheet is downloaded from the website of Murata Manufacturing Co., Ltd. Therefore, it's specifications are subject to change or our products in it may be discontinued without advance notice. Please check with our sales representatives or product engineers before ordering.
- 2.This datasheet has only typical specifications because there is no space for detailed specifications. Therefore, please review our product specifications or consult the approval sheet for product specifications before ordering.