

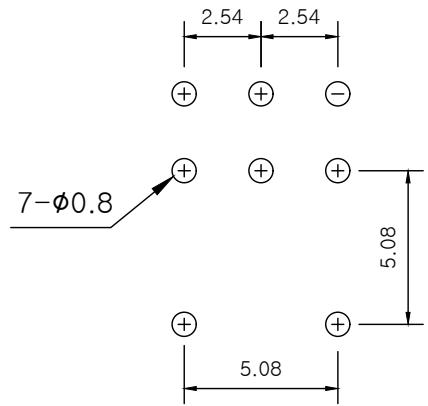
# DATA SHEET

**SUNGMUN CODE :** SP-22SH  
**DESCRIPTION :** PUSH SWITCH

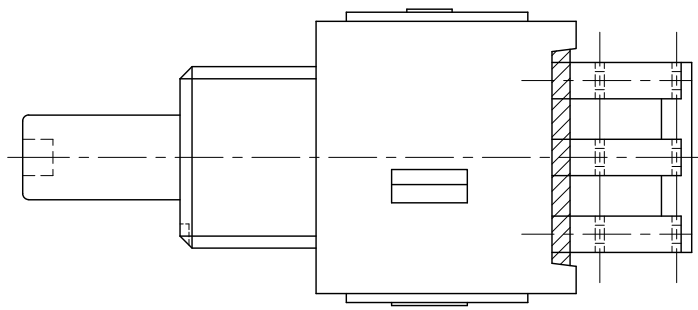
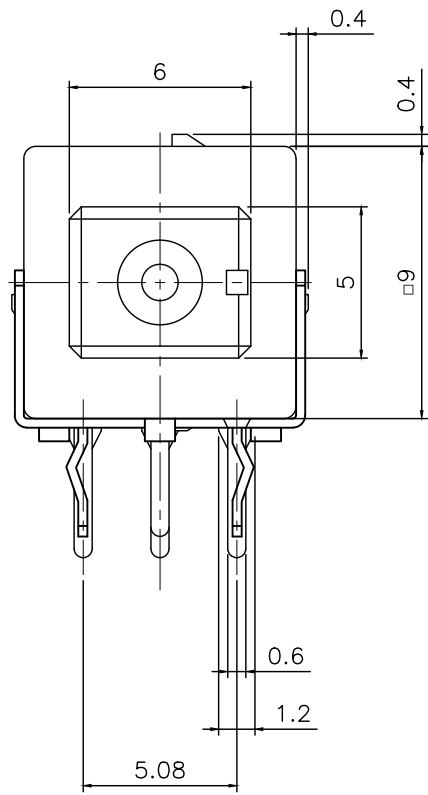
## **SUNGMUN ELECTRONICS CO., LTD.**

Address 301-302,Bucheon Technopark 345, Seokcheon-ro, Ojeong-gu  
Bucheon-si, Gyeonggi-do, Korea  
TEL. +82-32-328-1941~4  
FAX +82-32-328-1945  
E-mail sungmun@sungmun.co.kr  
Website www.sungmun.com

MRK.	DATE	REVISION	SIGN
△			

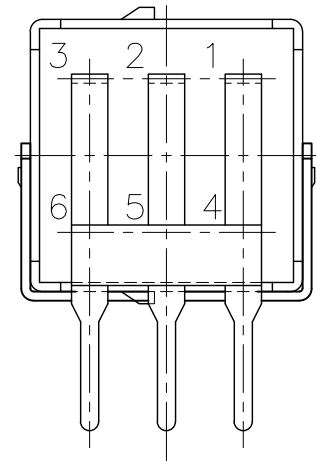
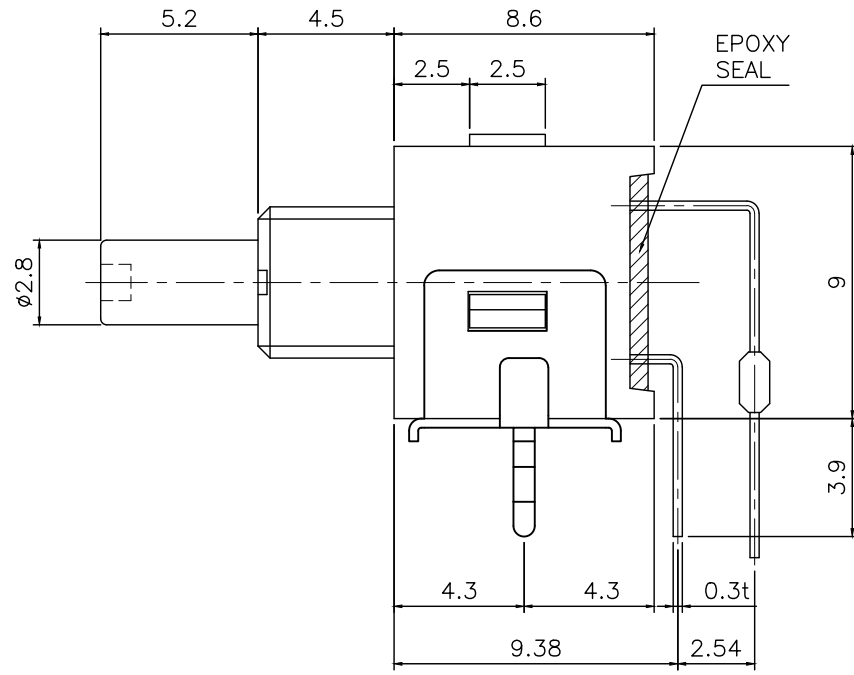


P.C.B DIMENSION



CIRCUIT

<u>NORMAL</u>	<u>DOWN</u>
ON	(ON)
2-3	1-2
5-6	4-5
( ):MOMENTARY	



DRAW/DESIGNED	CHECKED	APPROVED		G.TOL ±0.05	TITLE	SP-22SH LAYOUT	
				UNIT mm	SCALE 4:1	MODEL	SP-22
2019-12-27				SIZE A4	DRAW NO.	SP-22SH	1/1
SUNGUN ELECTRONICS CO.,LTD							

### 1. Electrical Characteristics :

- 1-1 Rating: 0.4VA at 28V AC or DC Max.
- 1-2 Contact Resistance: Max 50 mΩ
- 1-3 Insulation Resistance: Min 500 MΩ at DC 500V
- 1-4 Withstanding Voltage: 1 minute at AC 500V
- 1-5 Life Cycle: 20,000 cycles
- 1-6 Operating Temperature: -25°C ~ +80°C

### 2. Mechanical Characteristics :

- 2-1 Operating Force: 250±100gf
- 2-2 Travel: 1.1mm
- 2-3 Insulator: Fiberglass reinforced polyamide.
- 2-4 Terminal: Brass, Gold plate.

### 3. High, Low Temperature Test :

- 3-1 Test Condition: 80°C±3°C for 48 hours  
-25°C±3°C for 48 hours
- 3-2 Insulation Resistance: Min 500 MΩ at DC 500V
- 3-3 Withstanding Voltage: 1 minute at AC 500V
- 3-4 Contact Resistance: Max 50 mΩ

### 4. Humidity Test :

- 4-1 Test Condition: Measured 3 hours after exposure to ambient after 96 hours exposure at  
40°C±2°C, 90-95% R.H
- 4-2 Insulation Resistance: Min 10 MΩ
- 4-3 Withstanding Voltage: 1 minute at AC 500V
- 4-4 Contact Resistance: Max 50 mΩ

### 5. Solder Condition :

- 5-1 Within 5 sec. at 270°C